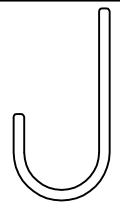
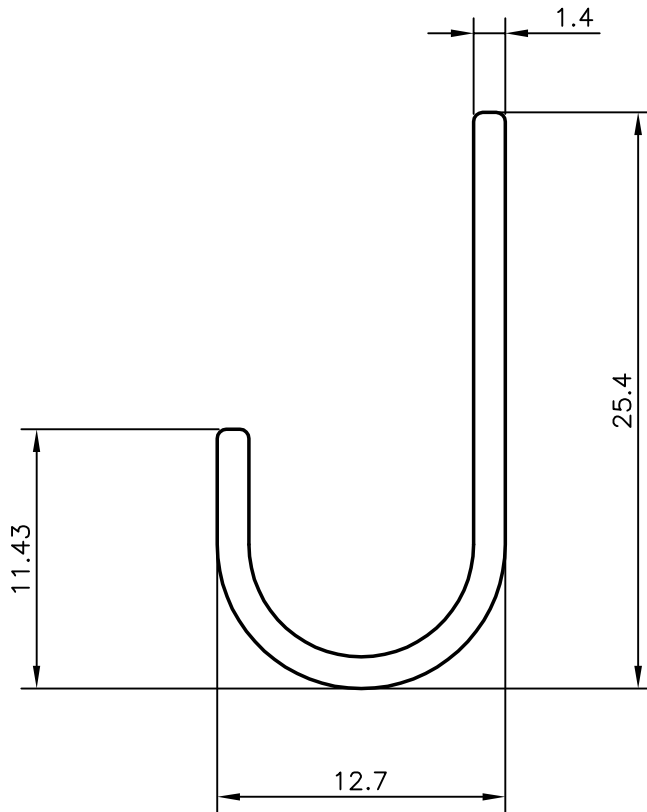


5101

23501



SCALE 1:1



GENERAL WALL THICKNESS = 1.40 mm



SYMBOL OF QUALITY
AN ISO 9001 COMPANY

JINDAL ALUMINIUM LTD.
BANGALORE-560073 (INDIA)

	NAME	DATE
DRAWN	RAGHAVENDRA	26-10-2006
CHECKED		
APPROVED		

1. ALL DIMENSIONS ARE IN mm.
2. ROUND OFF ALL SHARP CORNERS WITH 0.40 mm.
3. TOLERANCES WILL BE AS PER IS:3965-1981 UNLESS OTHERWISE SPECIFIED

SCALE	3:1
AREA mm ²	58.495
PERIMETER mm.	85.87
WEIGHT kg/m	0.157

PARTY'S NAME	-	DRAWING No.	5101	SECTION No.	5101
PARTY'S DRAWING No.	-		23501		23501
ALLOY & TEMPER	HE9 WP				
DESCRIPTION	WATER CHANNEL				