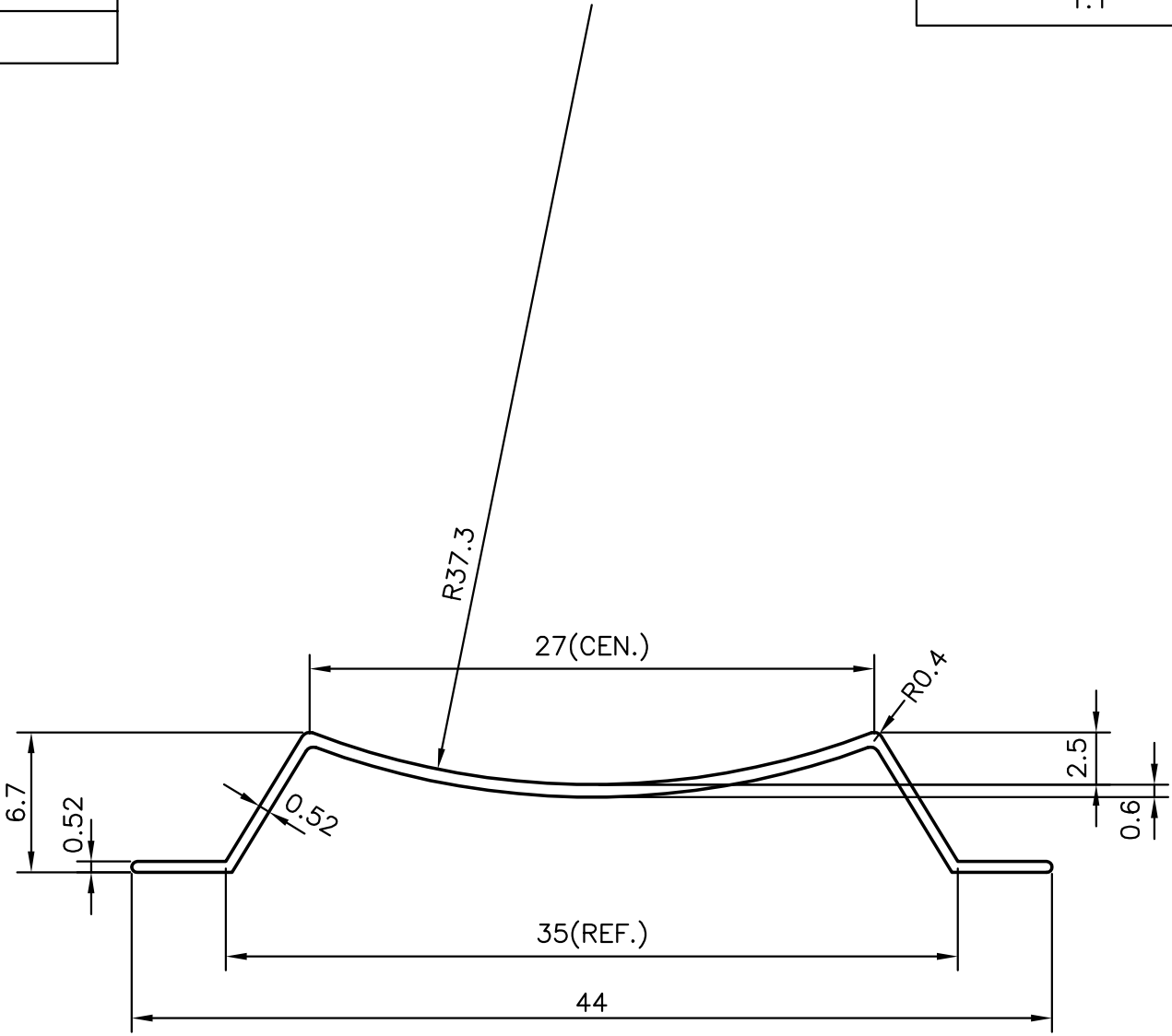
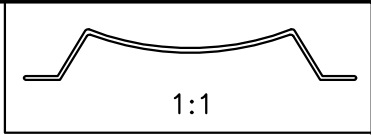



5426
23559



WEIGHT/3658 mm.:– 0.300 kgs (AVERAGE)

 SYMBOL OF QUALITY AN ISO 9001 COMPANY	JINDAL ALUMINIUM LTD. BANGALORE-560073 (INDIA)	DRAWN	J.P.KAUSHIK	DATE	23-05-2012
		CHECKED			
1. ALL DIMENSIONS ARE IN mm. 2. ROUND OFF ALL SHARP CORNERS WITH 0.40 mm. 3. TOLERANCES WILL BE AS PER IS:3965-1981 UNLESS OTHERWISE SPECIFIED		APPROVED	J.N.RAI		23-05-2012
		SCALE			3:1
PARTY'S NAME -		AREA	mm ²		28.974
		PERIMETER	mm.		103.271
PARTY'S DRAWING No. -		WEIGHT	kg/m		0.078
		DRAWING No.		SECTION No.	
ALLOY & TEMPER HE9 WP			5426		5426
			23559		23559
DESCRIPTION BEADING SECTION					