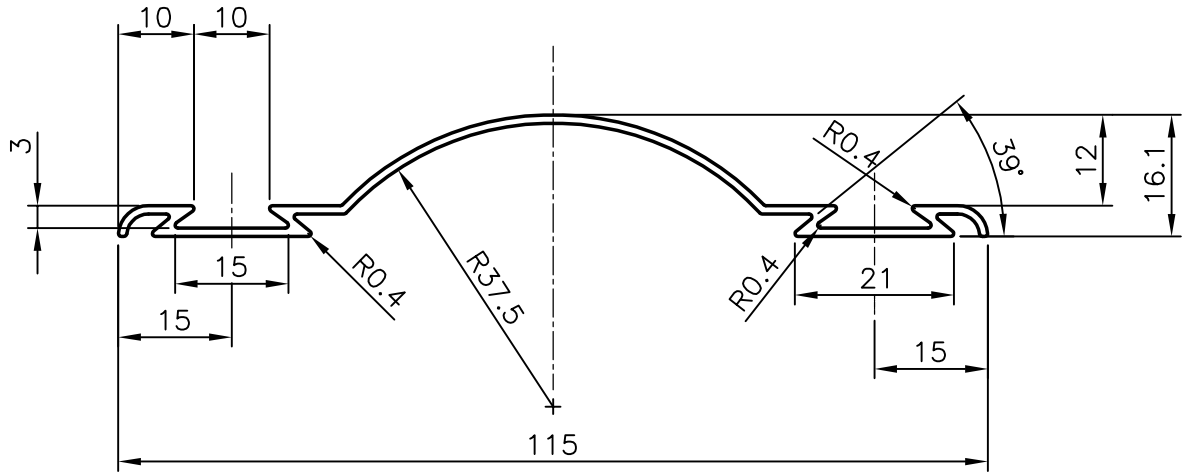



5431
23562
-



GENERAL WALL THICKNESS:- 1.10 mm.

 SYMBOL OF QUALITY AN ISO 9001 COMPANY	JINDAL ALUMINIUM LTD. BANGALORE-560073 (INDIA)		NAME	DATE
		DRAWN	J.P.KAUSHIK	02-11-2009
1. ALL DIMENSIONS ARE IN mm. 2. ROUND OFF ALL SHARP CORNERS WITH 0.40 mm. 3. TOLERANCES WILL BE AS PER IS:3965-1981 UNLESS OTHERWISE SPECIFIED		CHECKED		
		APPROVED		
PARTY'S NAME -		SCALE		1:1
		AREA mm ²		174.582
PARTY'S DRAWING No. -		PERIMETER mm.		300.085
		WEIGHT kg/m		0.471
ALLOY & TEMPER HE9 WP		DRAWING No.	SECTION No.	
		5431	5431	
DESCRIPTION BEADING		23562	23562	
		-	-	