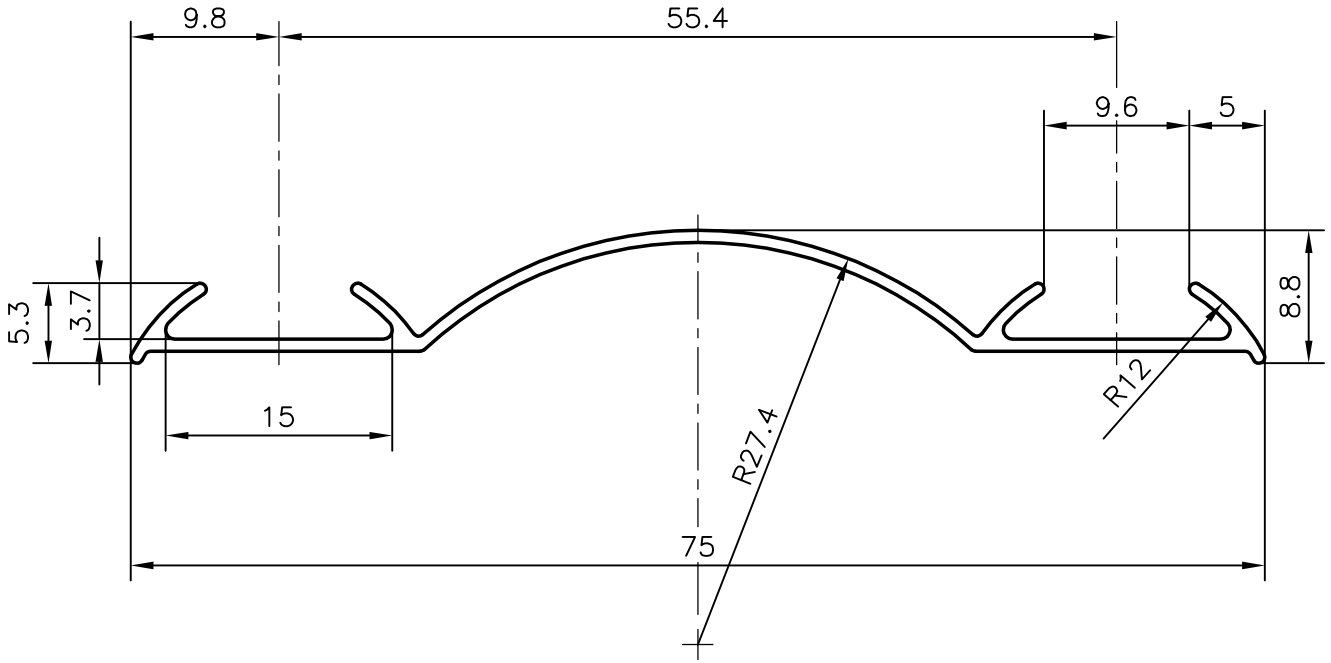


5433

23563



1:1



GENERAL WALL THICKNESS:- 0.80 mm.

JINDAL ALUMINIUM LTD.**BANGALORE-560073**

NAME

DATE

DRAWN

R.D.Sharma

13-06-97

CHECKED

APPROVED

1. ALL DIMENSIONS ARE IN mm.
2. ROUND OFF ALL SHARP CORNERS WITH 0.4 mm.
3. TOLERANCES WILL BE AS PER IS: 3965-1981 ,UNLESS OTHERWISE SPECIFIED

PARTY'S NAME

-

SCALE

1:1

PARTY'S DRAWING No.

-

WEIGHT kg/m

0.220

ALLOY & TEMPER

HE9 WP

SECTION No.

23563

LENGTH

3658 mm.

DRAWING No.

DESCRIPTION

BEADING

23563