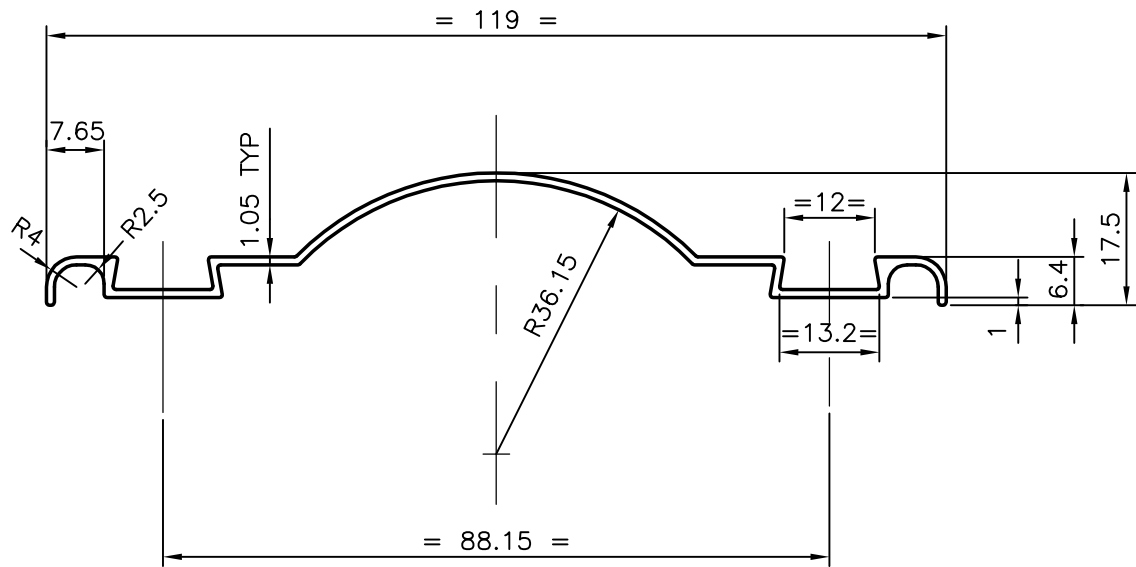


P-5657

23588



AVERAGE WEIGHT:- 1.635 kg/ 3658 mm.

GENERAL WALL THICKNESS = 1.05 mm



SYMBOL OF QUALITY
AN ISO 9001 COMPANY

JINDAL ALUMINIUM LTD.
BANGALORE-560073 (INDIA)

	NAME	DATE
DRAWN	MALINGAPPA	11-07-2005
CHECKED		
APPROVED		

1. ALL DIMENSIONS ARE IN mm.
2. ROUND OFF ALL SHARP CORNERS WITH 0.40 mm.
3. TOLERANCES WILL BE AS PER IS:3965-1981 UNLESS OTHERWISE SPECIFIED

SCALE	1:1
AREA mm ²	165.55
PERIMETER mm.	301.017
WEIGHT kg/m	0.447

PARTY'S NAME	GENERAL CATEGORY, KOLKATTA MARKET	DRAWING No.	P-5657	SECTION No.	-
PARTY'S DRAWING No.	AS PER SAMPLE/WT.		23588		23588
ALLOY & TEMPER	HE9 WP				
DESCRIPTION	DECORATIVE BEADING				