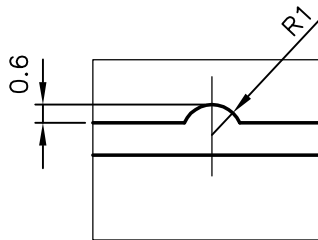
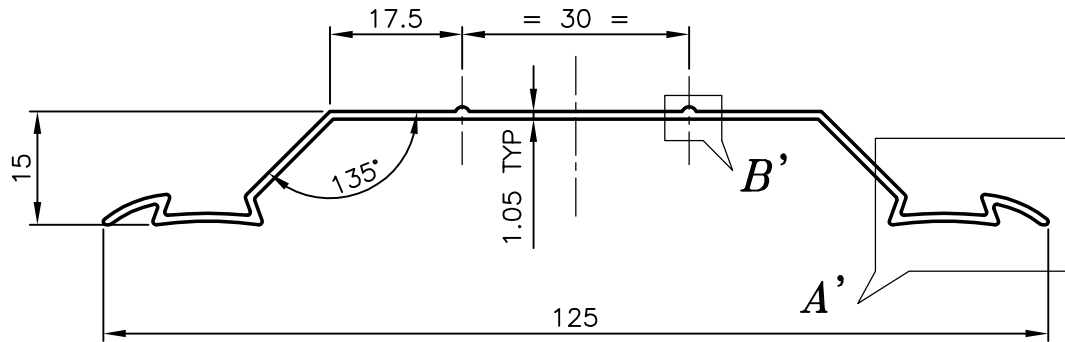


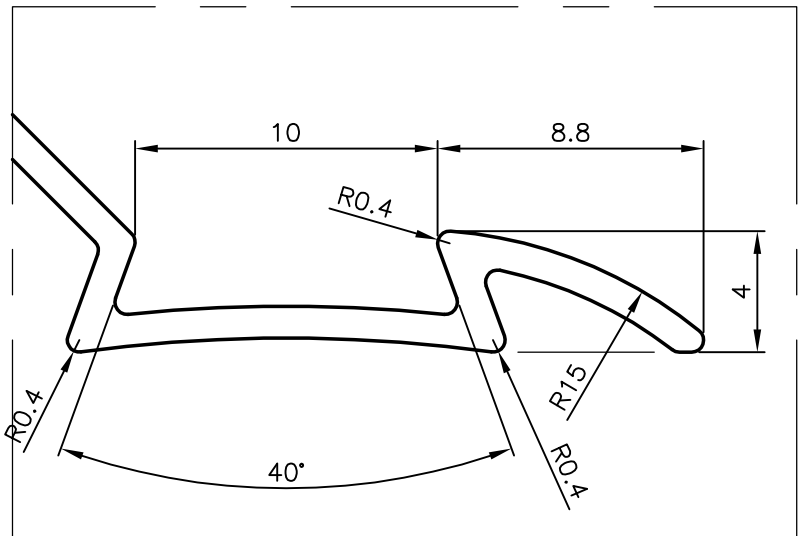
P-5747-1

23589

WEIGHT PER 3658 mm.LONG PIECE:- 1.600 kg (AVERAGE)
 GENERAL WALL THICKNESS = 1.05 mm



DETAIL-B
 SCALE:- 4:1



DETAIL-A
 SCALE:- 4:1



SYMBOL OF QUALITY
 AN ISO 9001 COMPANY

JINDAL ALUMINIUM LTD.
 BANGALORE-560073 (INDIA)

	NAME	DATE
DRAWN	MALINGAPPA	08-08-2005
CHECKED		
APPROVED		

1. ALL DIMENSIONS ARE IN mm.
2. ROUND OFF ALL SHARP CORNERS WITH 0.40 mm.
3. TOLERANCES WILL BE AS PER IS:3965-1981 UNLESS OTHERWISE SPECIFIED

SCALE	1:1
AREA mm ²	161.3
PERIMETER mm.	300.725
WEIGHT kg/m	0.436

PARTY'S NAME	GENERAL CATEGORY, KOLKATA MARKET
PARTY'S DRAWING No.	AS PER DRAWING/WEIGHT
ALLOY & TEMPER	HE9 WP
DESCRIPTION	SHOW BEADING

DRAWING No.	SECTION No.
P-5747-1	-
23589	23589