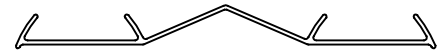
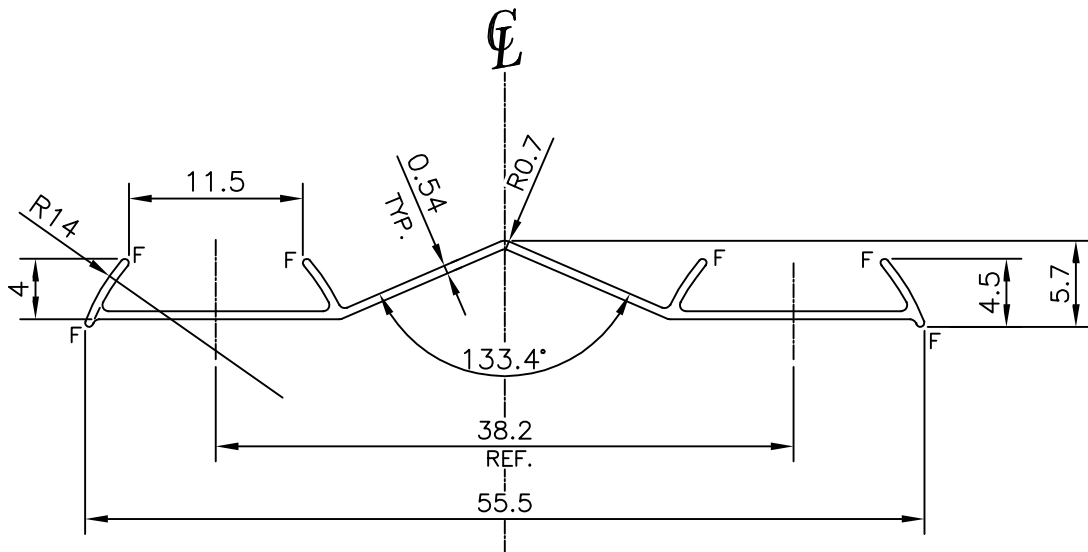


P-13147

23592



SCALE:- 1:1



GENERAL WALL THICKNESS = 0.54 mm

3658mm LONG PIECES IN 100kgs = 250 (AVERAGE)

F = FULL RADIUS (6 PLACES)



SYMBOL OF QUALITY
AN ISO 9001 COMPANY

JINDAL ALUMINIUM LTD.
BANGALORE-560073 (INDIA)

	NAME	DATE
DRAWN	PARVESH	27-11-2013
CHECKED		
APPROVED	S.S.GARG	27-11-2013
SCALE		2:1
AREA mm ²		40.427
PERIMETER mm.		145.656
WEIGHT kg/m		0.109
DRAWING No.	SECTION No.	
P-13147	-	
23592	23592(ISSUE-2)	

1. ALL DIMENSIONS ARE IN mm.
2. ROUND OFF ALL SHARP CORNERS WITH 0.40 mm.
3. TOLERANCES WILL BE AS PER IS:3965-1981 , UNLESS OTHERWISE SPECIFIED

PARTY'S NAME	GENERAL CATEGORY, DELHI MARKET
PARTY'S DRAWING No.	LIGHTER OF SECTION No. 23568
ALLOY & TEMPER	HE9 WP
DESCRIPTION	ARROW GOLA