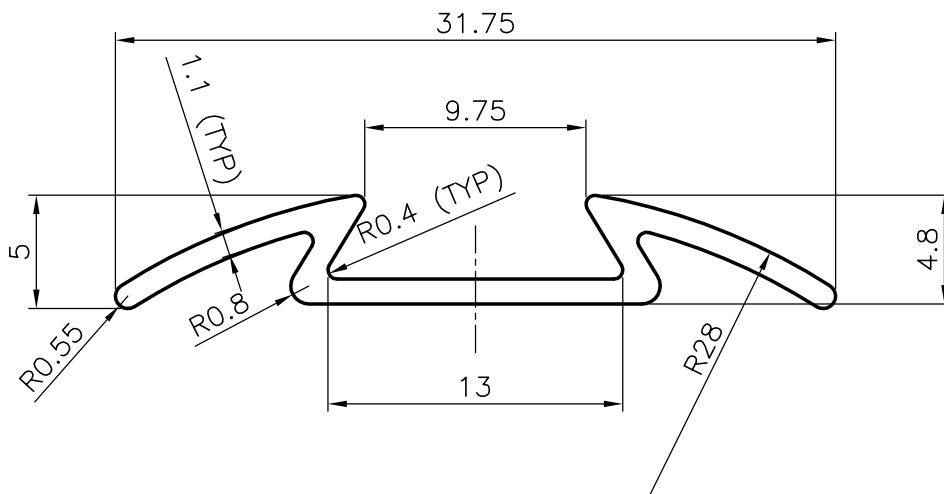
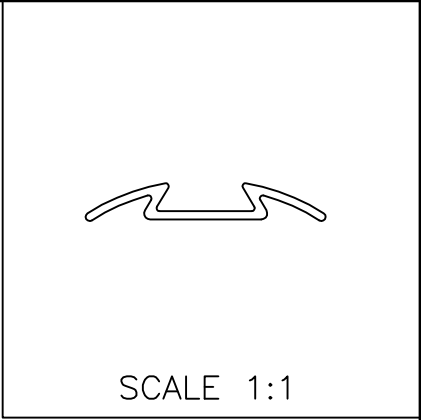



5602
23751
-



 SYMBOL OF QUALITY AN ISO 9002 COMPANY	<b>JINDAL ALUMINIUM LTD.</b> BANGALORE-560073 (INDIA)		NAME	DATE
		DRAWN	R.D.Sharma	7-1-1997
1. ALL DIMENSIONS ARE IN mm. 2. ROUND OFF ALL SHARP CORNERS WITH 0.40 mm. 3. TOLERANCES WILL BE AS PER IS:3965-1981 UNLESS OTHERWISE SPECIFIED		CHECKED		
		APPROVED		
		SCALE	3:1	
PARTY'S NAME	-	WEIGHT kg/m	0.136	
PARTY'S DRAWING No.	-	SECTION No.	23751	
ALLOY & TEMPER	HE 9 WP	DRAWING No. 23751		
DESCRIPTION	SINGLE BUS BEADING			