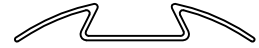
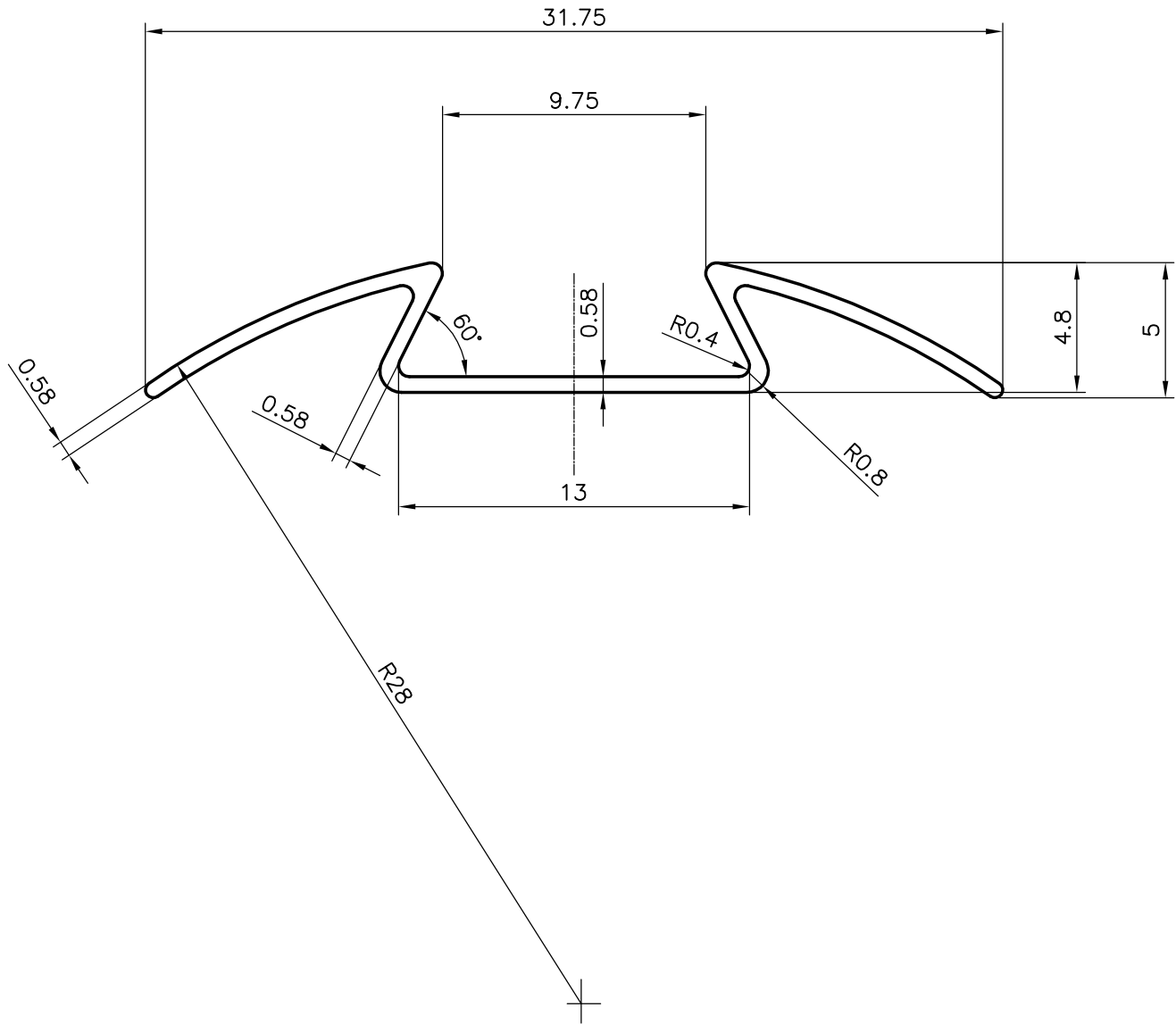


5631

23768



SCALE 1:1



SYMBOL OF QUALITY
AN ISO 9001 COMPANY

JINDAL ALUMINIUM LTD.
BANGALORE-560073 (INDIA)

	NAME	DATE
DRAWN	PRASHANT	13-11-2006
CHECKED		
APPROVED		
SCALE		4:1
AREA mm ²		26.96
PERIMETER mm.		89.759
WEIGHT kg/m		0.077
DRAWING No.	SECTION No.	
5631	5631	
23768	23768	

1. ALL DIMENSIONS ARE IN mm.
2. ROUND OFF ALL SHARP CORNERS WITH 0.40 mm.
3. TOLERANCES WILL BE AS PER IS:3965-1981 UNLESS OTHERWISE SPECIFIED

PARTY'S NAME

-

PARTY'S DRAWING No.

-

ALLOY & TEMPER

HE9 WP

DESCRIPTION

BEADING SECTION