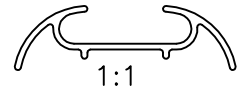
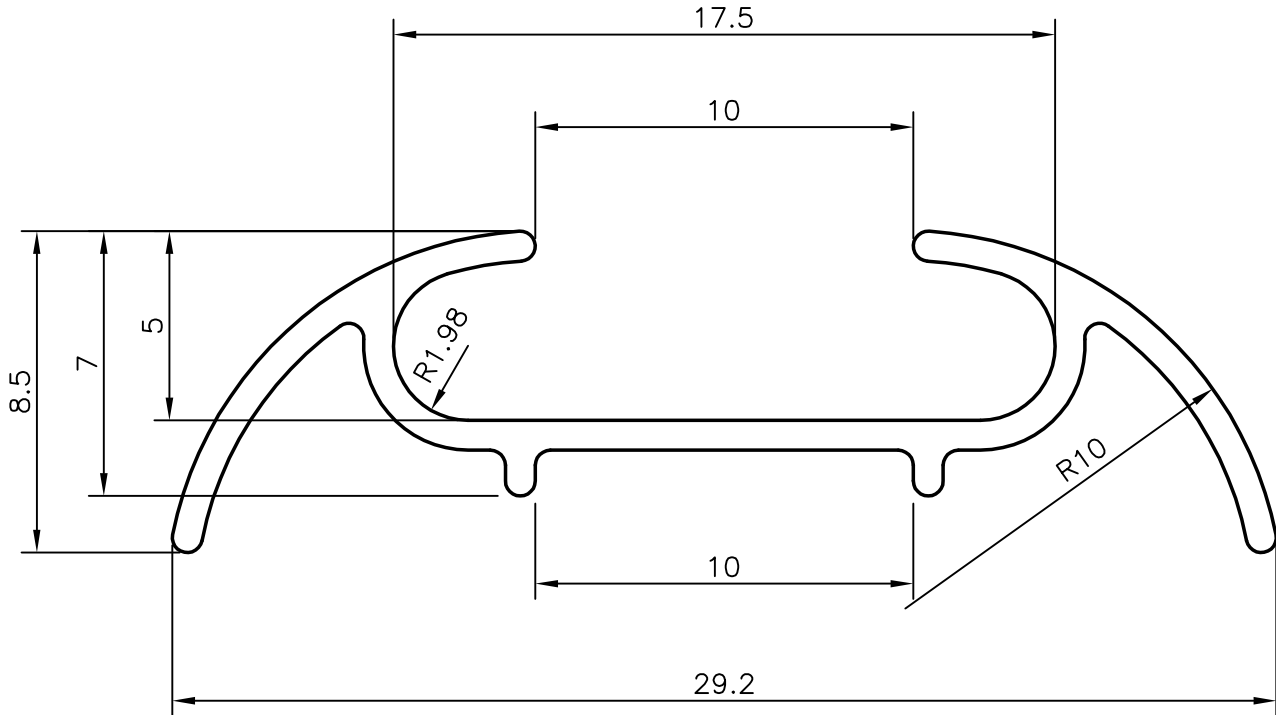


5643

23776



1:1



1. GENERAL WALL THICKNESS:- 0.79 mm.
2. WEIGHT:- 0.425 kg/3658 mm. LONG PIECE (AVERAGE)

***JINDAL ALUMINIUM LTD.***  
***BANGALORE-560073***

NAME

DATE

DRAWN

R.D.Sharma

11-9-95

CHECKED

APPROVED

1. ALL DIMENSIONS ARE IN mm.
2. ROUND OFF ALL SHARP CORNERS WITH 0.4 mm.
3. TOLERANCES WILL BE AS PER IS : 3965-1981  
UNLESS OTHERWISE SPECIFIED

PARTY'S NAME

GENERAL CATEGORY

SCALE

5:1

PARTY'S DRAWING No.

-

WEIGHT kg/m

0.116

ALLOY &amp; TEMPER

HE9 WP

SECTION No.

23776

LENGTH

3658 mm.

DRAWING No.

DESCRIPTION

TADU GOLA

23776