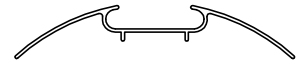


5647

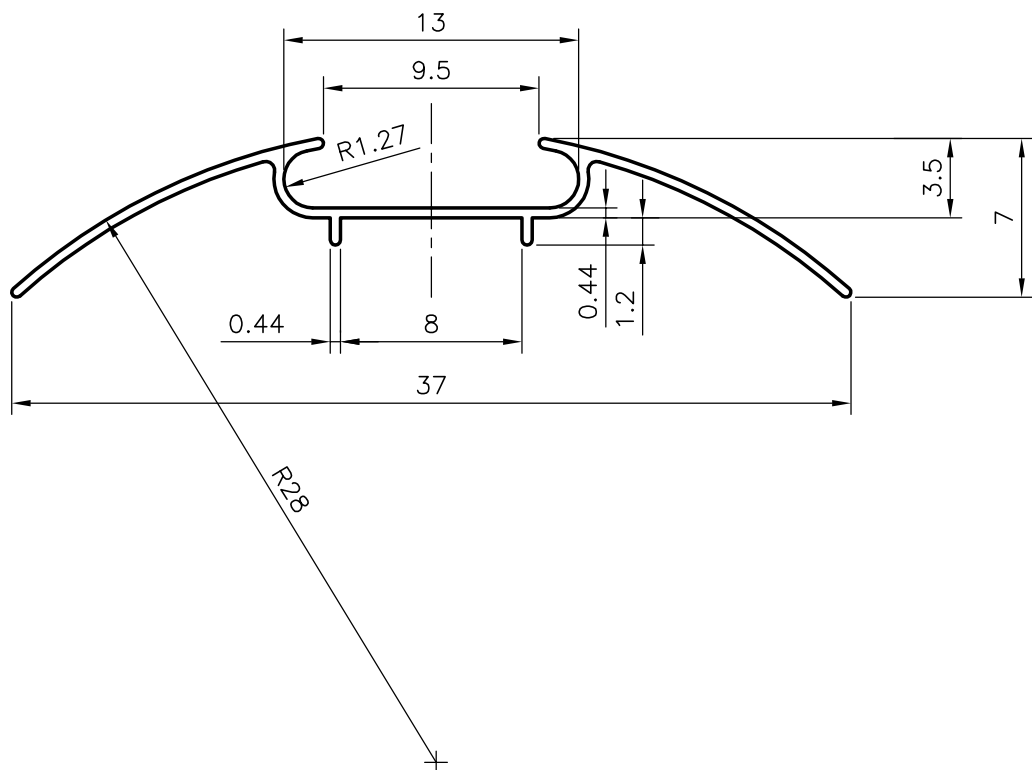
23780



SCALE 1:1

GENERAL WALL THICKNESS = 0.44mm

3658mm LONG PIECES IN 100kgs = 450 (AVERAGE)



SYMBOL OF QUALITY
AN ISO 9002 COMPANY

JINDAL ALUMINIUM LTD.
BANGALORE-560073 (INDIA)

	NAME	DATE
DRAWN	RAGHAVENDRA	04-12-2003
CHECKED		
APPROVED		

1. ALL DIMENSIONS ARE IN mm.
2. ROUND OFF ALL SHARP CORNERS WITH 0.40 mm.
3. TOLERANCES WILL BE AS PER IS: 3965-1981 UNLESS OTHERWISE SPECIFIED

SCALE	3:1 & 1:1
AREA mm ²	22.52
PERIMETER mm.	99.28
WEIGHT kg/m	0.061

PARTY'S NAME	—	DRAWING No.	5647	SECTION No.	5647
PARTY'S DRAWING No.	—	23780	23780		
ALLOY & TEMPER	HE9 WP				
DESCRIPTION	—				