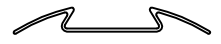
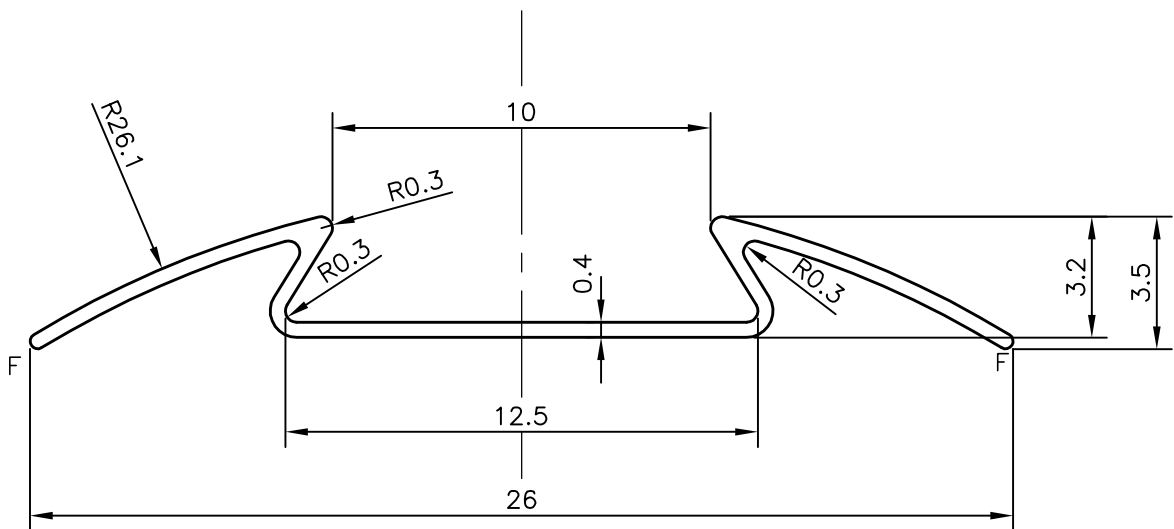


5659

23790



1:1



GENERAL WALL THICKNESS = 0.40mm

3658mm LONG PIECES IN 100kgs = 700 (AVERAGE)

F = FULL RADII (2 PLACES)

**ISSUE-2: -**

THICKNESS REDUCED FROM 0.43 TO 0.41 mm

WEIGHT ALSO CHANGED FROM 0.042 KG/M TO 0.040 kg/M

ON DATED 29/11/2013

**ISSUE-3: -**

THICKNESS REDUCED FROM 0.41 TO 0.40 mm

WEIGHT ALSO CHANGED FROM 0.040 KG/M TO 0.039 kg/M

SYMBOL OF QUALITY  
AN ISO 9001 COMPANY**JINDAL ALUMINIUM LTD.**  
**BANGALORE-560073 (INDIA)**

	NAME	DATE
DRAWN	J.P.KAUSHIK	06-08-2014
CHECKED		
APPROVED	S.S.GARG	06-08-2014
SCALE		5:1
AREA mm <sup>2</sup>		14.402
PERIMETER mm.		69.47
WEIGHT kg/m		0.039
DRAWING No.	SECTION No.	
5659	5659	
23790	23790(ISSUE-3)	

1. ALL DIMENSIONS ARE IN mm.
2. ROUND OFF ALL SHARP CORNERS WITH 0.40 mm.
3. TOLERANCES WILL BE AS PER IS:3965-1981 UNLESS OTHERWISE SPECIFIED

PARTY'S NAME	GENERAL CATEGORY, DELHI MARKET
PARTY'S DRAWING No.	-
ALLOY & TEMPER	HE9 WP
DESCRIPTION	SINGLE BEADING