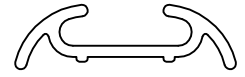
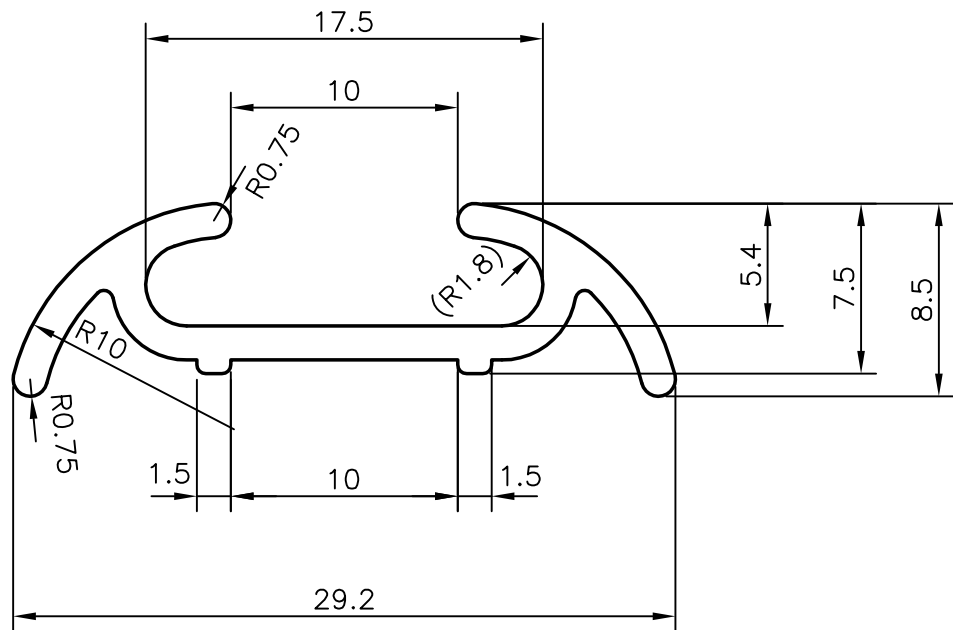


5664

23795



1:1



GENERAL WALL THICKNESS:- 1.50 mm.
REQD. WEIGHT OF 3658 mm. LONG PIECE:- 0.750 kg

JINDAL ALUMINIUM LTD.

BANGALORE-560073

NAME

DATE

DRAWN

R.D.Sharma

17-09-98

CHECKED

APPROVED

1. ALL DIMENSIONS ARE IN mm.
2. ROUND OFF ALL SHARP CORNERS WITH 0.4 mm.
3. TOLERANCES WILL BE AS PER IS: 3965-1981 ,UNLESS OTHERWISE SPECIFIED

PARTY'S NAME

-

SCALE

1:1 & 3:1

PARTY'S DRAWING No.

NIL

WEIGHT kg/m

0.205

ALLOY & TEMPER

HE9 WP

SECTION No.

23795

LENGTH

3658 mm.

DRAWING No.

DESCRIPTION

TADDU GOLA

23795