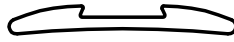
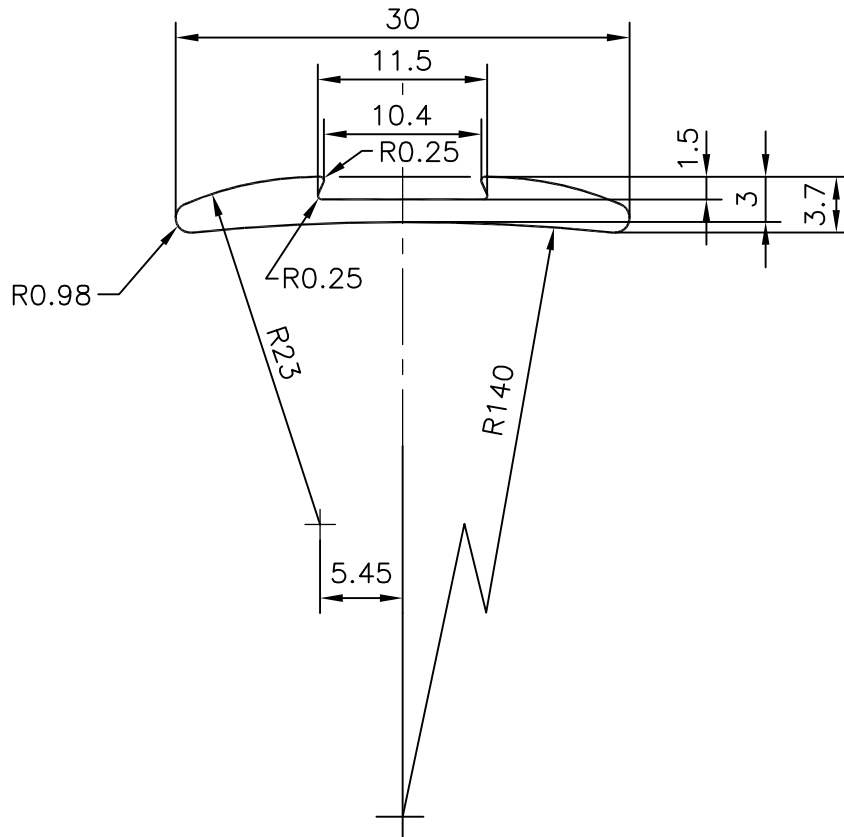


5667

23798



1:1



JINDAL ALUMINIUM LTD.

BANGALORE-560073

NAME

DATE

DRAWN

R.D.Sharma

28-10-95

1. ALL DIMENSIONS ARE IN mm.
 2. ROUND OFF ALL SHARP CORNERS WITH 0.4 mm.
 3. TOLERANCES WILL BE AS PER IS: 3965-1981 ,UNLESS OTHERWISE SPECIFIED

CHECKED

APPROVED

PARTY'S NAME

A.ABDUL RAHIM OOSMAN & CO.,MAURITIUS

SCALE

1:1 & 2:1

PARTY'S DRAWING No.

AS PER SAMPLE

WEIGHT kg/m

0.184

ALLOY & TEMPER

HE9 WP (6063 T6)

SECTION No.

23798

LENGTH

5500 mm.

DRAWING No.

DESCRIPTION

SHOW BEADING

23798