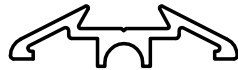
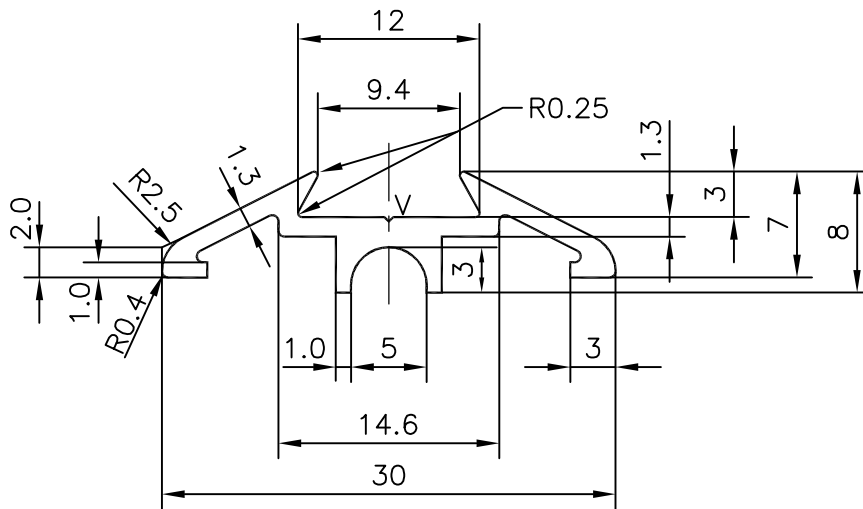


5668

23799



1:1



1. GENERAL WALL THICKNESS:- 1.30 mm.
2.  $V = 0.3 \times 90^\circ$  V GROOVE

**JINDAL ALUMINIUM LTD.**

**BANGALORE-560073**

NAME

DATE

DRAWN

R.D.Sharma

2-11-95

CHECKED

APPROVED

1. ALL DIMENSIONS ARE IN mm.
2. ROUND OFF ALL SHARP CORNERS WITH 0.4 mm.
3. TOLERANCES WILL BE AS PER IS: 3965-1981 ,UNLESS OTHERWISE SPECIFIED

PARTY'S NAME

A.ABDUL RAHIM OOSMAN &amp; CO.,MAURITIUS

SCALE

1:1 &amp; 2:1

PARTY'S DRAWING No.

AS PER SAMPLE

WEIGHT kg/m

0.188

ALLOY &amp; TEMPER

HE9 WP (6063 T6)

SECTION No.

23799

LENGTH

5500 mm.

DRAWING No.

DESCRIPTION

SHOW BEADING

23799