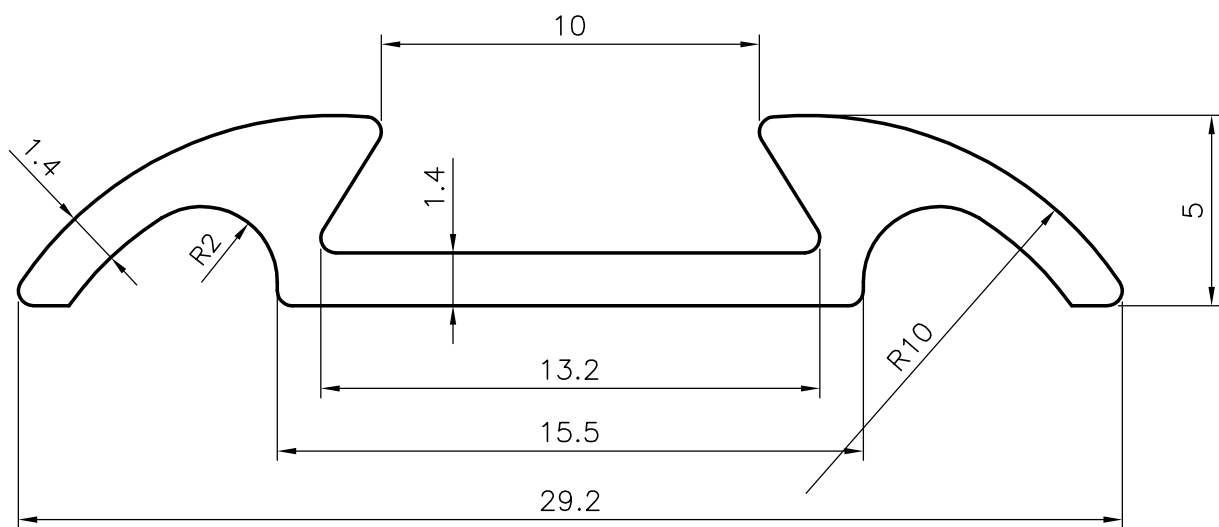


P-3591
5675
23806



SCALE 1:1



JINDAL ALUMINIUM LTD.
BANGALORE-560073 (INDIA)

	NAME	DATE
DRAWN	RAGHAVENDRA	16-10-01
CHECKED		
APPROVED		

1. ALL DIMENSIONS ARE IN mm.
2. ROUND OFF ALL SHARP CORNERS WITH 0.40 mm.
3. TOLERANCES WILL BE AS PER IS 3965-1981 UNLESS OTHERWISE SPECIFIED

PARTY'S NAME	TAMILNADU ALUMINIUM CO. CHENNAI
PARTY'S DRAWING No.	AS PER SAMPLE
ALLOY & TEMPER	HE9 WP
DESCRIPTION	BUS BEEDING

SCALE	5:1 & 1:1
WEIGHT kg/m	0.167
PERIMETER	77.97mm
SECTION No.	23806
DRAWING No.	23806