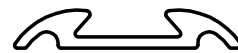


P-3428

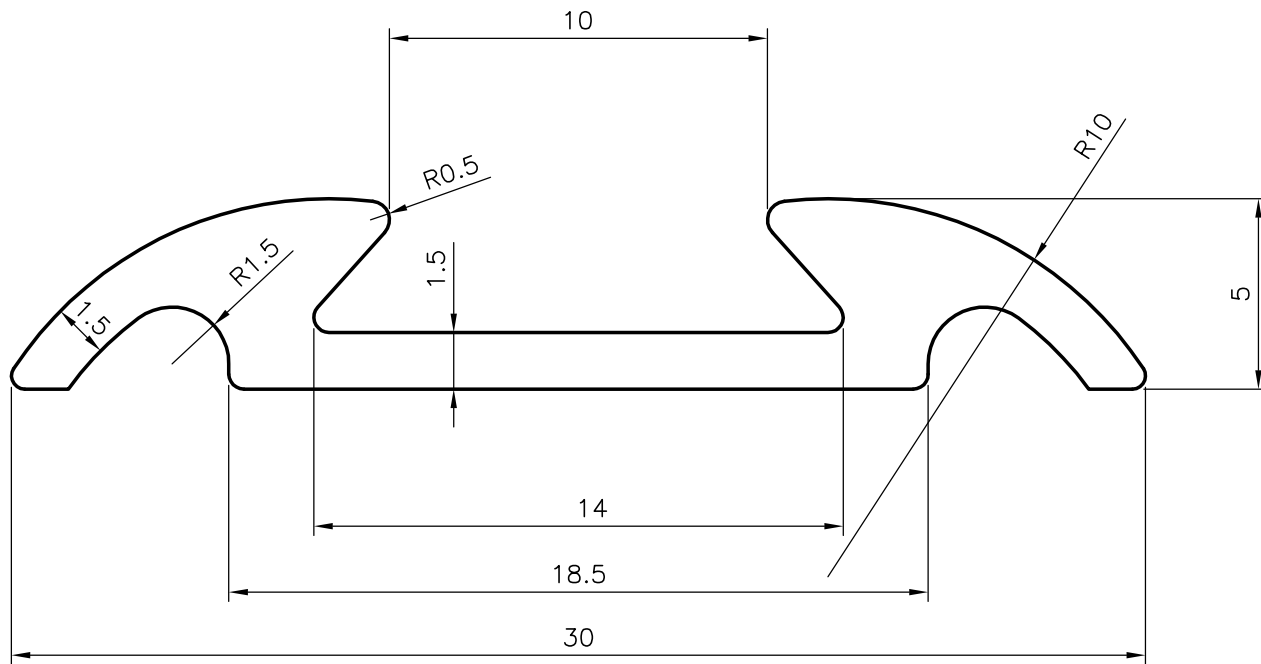
S736

5677

23808



SCALE 1:1



SYMBOL OF QUALITY
AN ISO 9002 COMPANY

JINDAL ALUMINIUM LTD.
BANGALORE-560073 (INDIA)

	NAME	DATE
DRAWN	RAGHAVENDRA	03-07-01
CHECKED		
APPROVED		

1. ALL DIMENSIONS ARE IN mm.
2. ROUND OFF ALL SHARP CORNERS WITH 0.40 mm.
3. TOLERANCES WILL BE AS PER IS: 3965-1981 UNLESS OTHERWISE SPECIFIED

PARTY'S NAME	AUTOMOTIVE COACHES & COMPONENTS LTD GUMMIDIPOONDI	SCALE	5:1 & 1:1
PARTY'S DRAWING No.	AS PER SAMPLE	WEIGHT kg/m	0.197
ALLOY & TEMPER	HE9 WP	PERIMETER	79.83mm
DESCRIPTION	SHOW BEADING	SECTION No.	23808
		DRAWING No.	23808