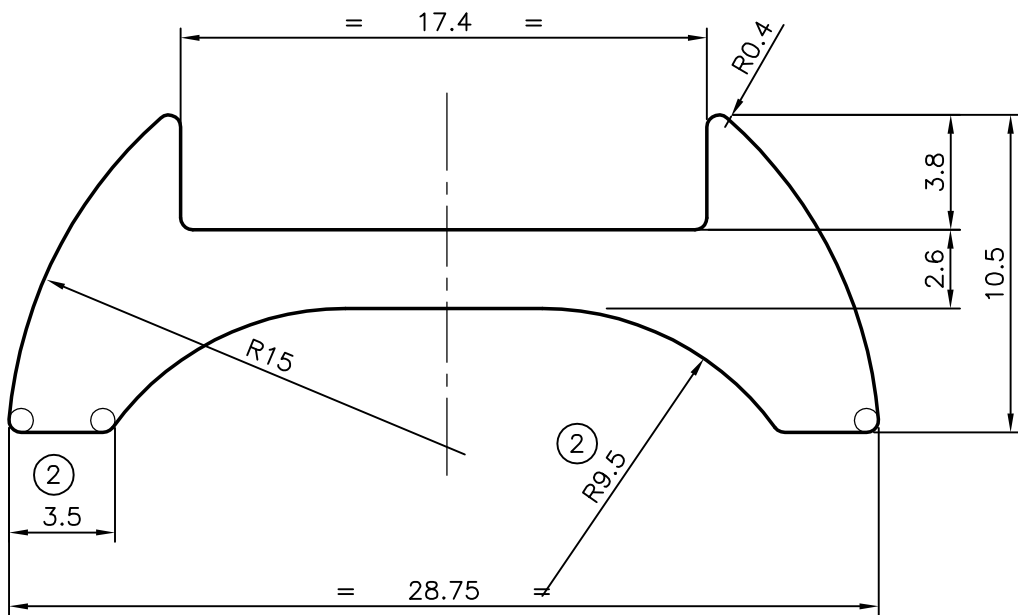


P-6565-1

23812



SCALE 1:1



ISSUE-2 DIMENSIONS CHANGED FROM
 3.00 TO 3.50
 R7.00 TO R9.50 &
 WEIGHT ALSO CHANGED FROM 0.327kg/M TO 0.349kg/M



SYMBOL OF QUALITY
 AN ISO 9001 COMPANY

JINDAL ALUMINIUM LTD.
 BANGALORE-560073 (INDIA)

	NAME	DATE
DRAWN	RAGHAVENDRA	01-09-2006
CHECKED		
APPROVED		
SCALE		4:1
AREA mm ²		129.157
PERIMETER mm.		80.485
WEIGHT kg/m		0.349
DRAWING No.		
P-6565-1		-
23812		23812-ISSUE-2

1. ALL DIMENSIONS ARE IN mm.
2. ROUND OFF ALL SHARP CORNERS WITH 0.40 mm.
3. TOLERANCES WILL BE AS PER IS:3965-1981 UNLESS OTHERWISE SPECIFIED

PARTY'S NAME	GENERAL CATEGORY, BANGALORE MARKET
PARTY'S DRAWING No.	AS PER SAMPLE
ALLOY & TEMPER	6351 T6
DESCRIPTION	FLURE