

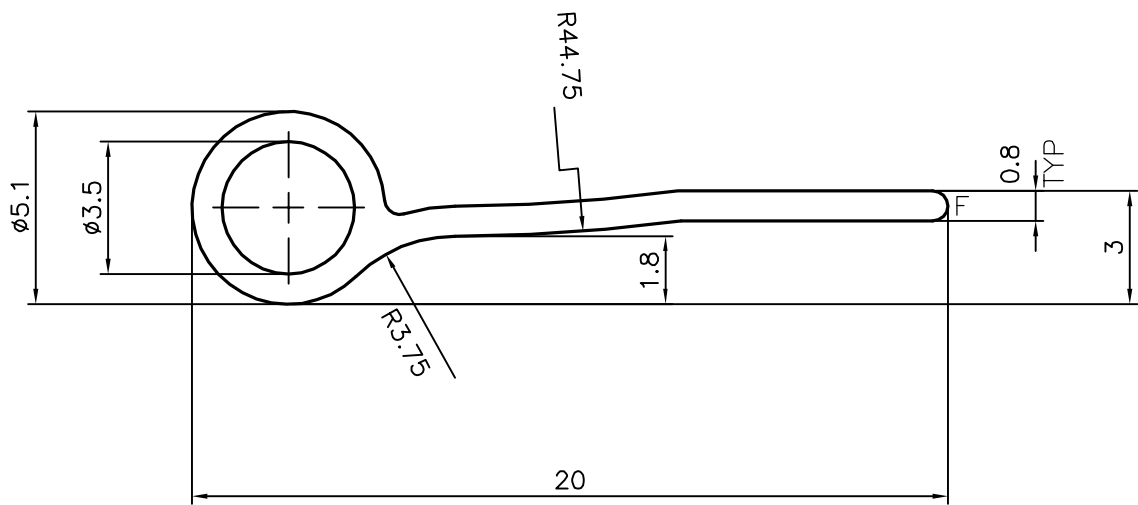
P-15181-1

S4829

23821



1:1



F= FULL RADIUS



SYMBOL OF QUALITY
AN ISO 9001 COMPANY

JINDAL ALUMINIUM LTD.
BANGALORE-560073 (INDIA)

	NAME	DATE
DRAWN	J.P.KAUSHIK	01-01-2016
CHECKED		
APPROVED	S.S.GARG	23-01-2016
SCALE		5:1
AREA mm ²		22.989
PERIMETER mm.		45.366
WEIGHT kg/m		0.062
DRAWING No.	SECTION No.	
P-15181-1	-	
S4829	S4829	
23821	23821	

1. ALL DIMENSIONS ARE IN mm.
2. ROUND OFF ALL SHARP CORNERS WITH 0.40 mm.
3. TOLERANCES WILL BE AS PER IS:6477-1983, UNLESS OTHERWISE SPECIFIED

PARTY'S NAME	SURESH INDUSTRIES, AGRA
PARTY'S DRAWING No.	AS PER AutoCAD DRAWING/AP-884
ALLOY & TEMPER	6063 T6
DESCRIPTION	BEADING SECTION