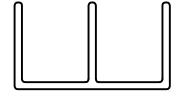
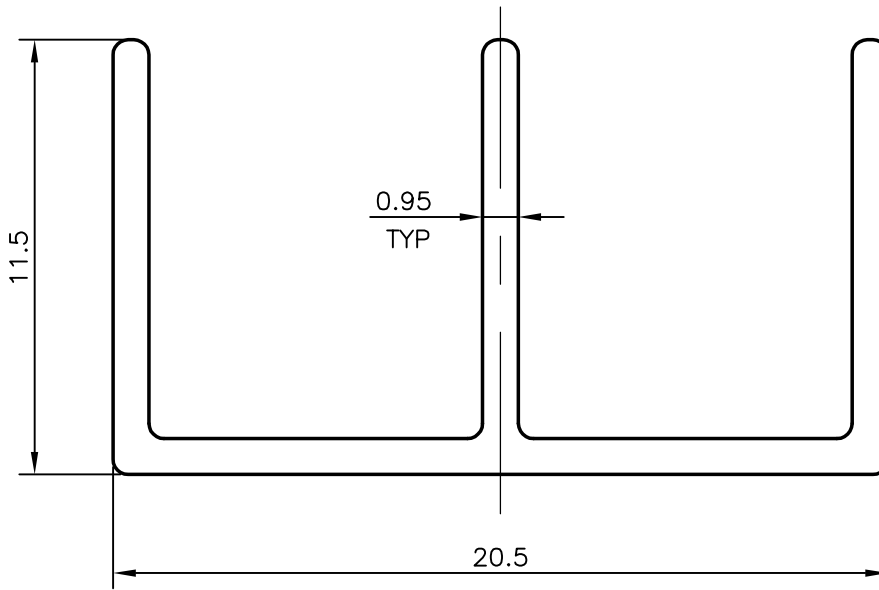


6030

24024



SCALE 1:1



GENERAL WALL THICKNESS = 0.95mm



SYMBOL OF QUALITY
AN ISO 9001 COMPANY

JINDAL ALUMINIUM LTD.
BANGALORE-560073 (INDIA)

	NAME	DATE
DRAWN	RAGHAVENDRA	01-09-2006
CHECKED		
APPROVED		

1. ALL DIMENSIONS ARE IN mm.
2. ROUND OFF ALL SHARP CORNERS WITH 0.40 mm.
3. TOLERANCES WILL BE AS PER IS:3965-1981 UNLESS OTHERWISE SPECIFIED

SCALE	5:1
AREA mm ²	49.405
PERIMETER mm.	104.14
WEIGHT kg/m	0.134

PARTY'S NAME	-	DRAWING No.	6030	SECTION No.	6030
PARTY'S DRAWING No.	-		24024		24024
ALLOY & TEMPER	HE9 WP				
DESCRIPTION	DOUBLE GLASS CHANNEL				