

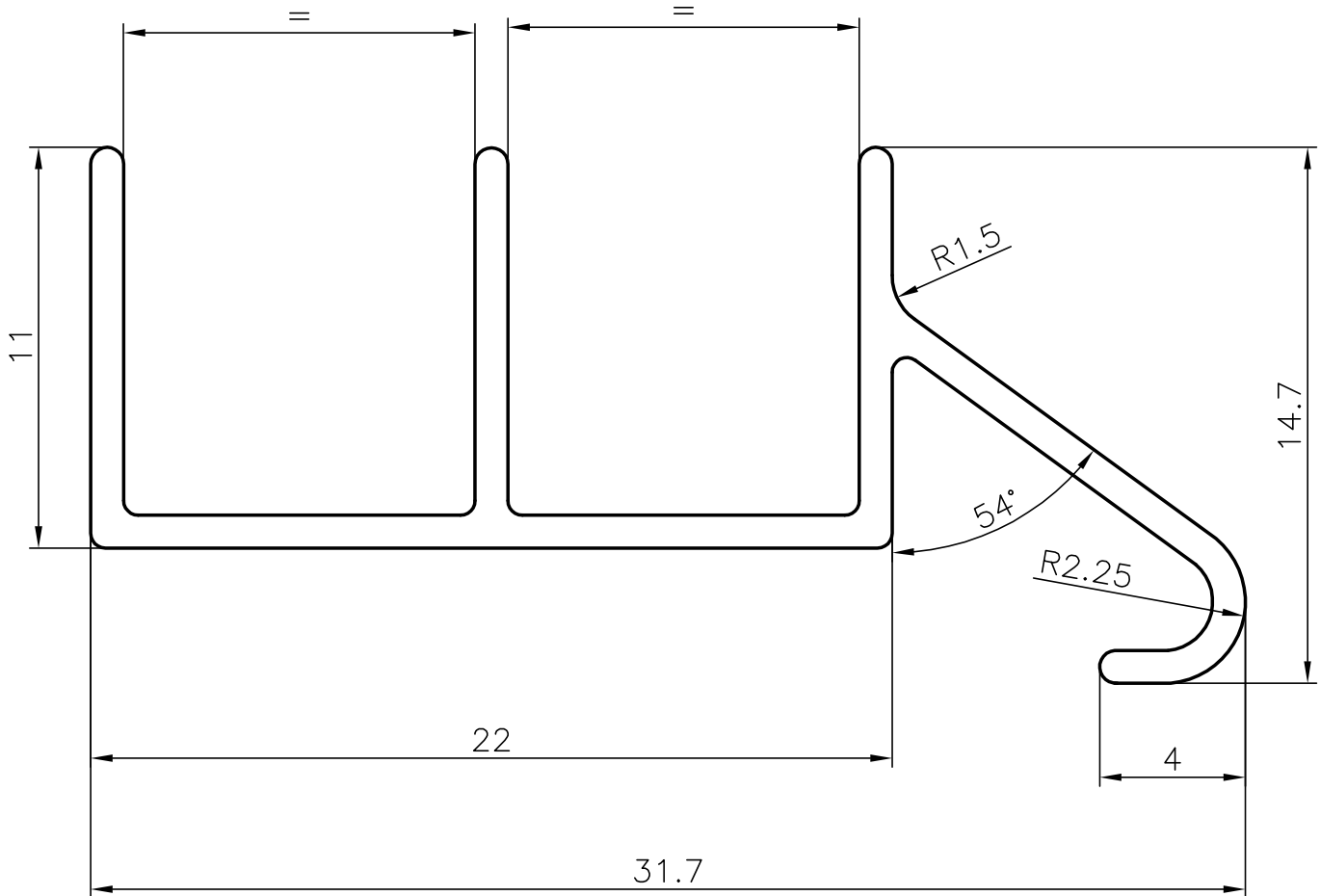
P-4592

6204

24048



1:1



GENERAL WALL THICKNESS 0.90 mm.



SYMBOL OF QUALITY
AN ISO 9001 COMPANY

JINDAL ALUMINIUM LTD.
BANGALORE-560073 (INDIA)

	NAME	DATE
DRAWN	D K Shaw	24-11-03
CHECKED		
APPROVED		
SCALE		5:1
AREA mm ²		61.7
PERIMETER mm.		135.6
WEIGHT kg/m		0.168
DRAWING No.	SECTION No.	
P-4592	-	
6204	6204	
24048	24048	

1. ALL DIMENSIONS ARE IN mm.
2. ROUND OFF ALL SHARP CORNERS WITH 0.40 mm.
3. TOLERANCES WILL BE AS PER BS: 1474-1987 UNLESS OTHERWISE SPECIFIED

PARTY'S NAME	M/s SAFINAT AI SAHRAA TRADING CO. LLC
PARTY'S DRAWING No.	AS PER SAMPLE
ALLOY & TEMPER	6063 T6
DESCRIPTION	DECORATIVE DOUBLE CHANNEL