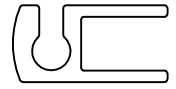
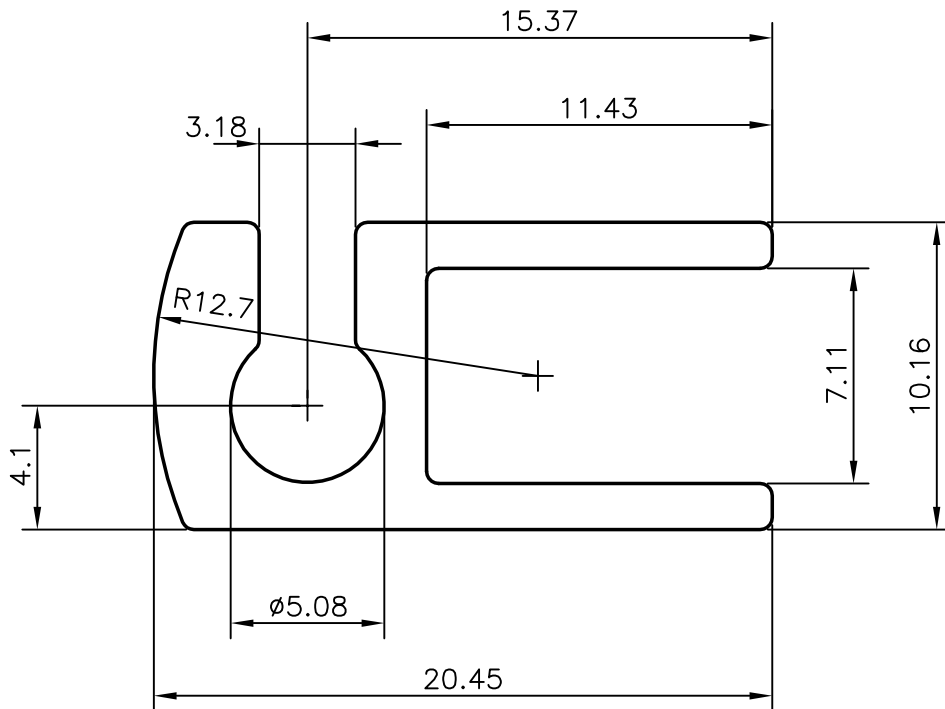


6055

24204



1:1



**JINDAL ALUMINIUM LTD.**

**BANGALORE-560073**

NAME

DATE

DRAWN

R.D.Sharma

17-09-98

CHECKED

APPROVED

1. ALL DIMENSIONS ARE IN mm.
2. ROUND OFF ALL SHARP CORNERS WITH 0.4 mm.
3. TOLERANCES WILL BE AS PER IS: 3965-1981 ,UNLESS OTHERWISE SPECIFIED

PARTY'S NAME

-

SCALE

1:1 &amp; 4:1

PARTY'S DRAWING No.

NIL

WEIGHT kg/m

0.247

ALLOY &amp; TEMPER

HE9 WP

SECTION No.

24204

LENGTH

3658 mm.

DRAWING No.

DESCRIPTION

SLOTTED WINDOW CHANNEL

24204