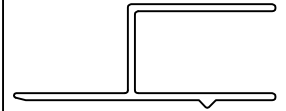
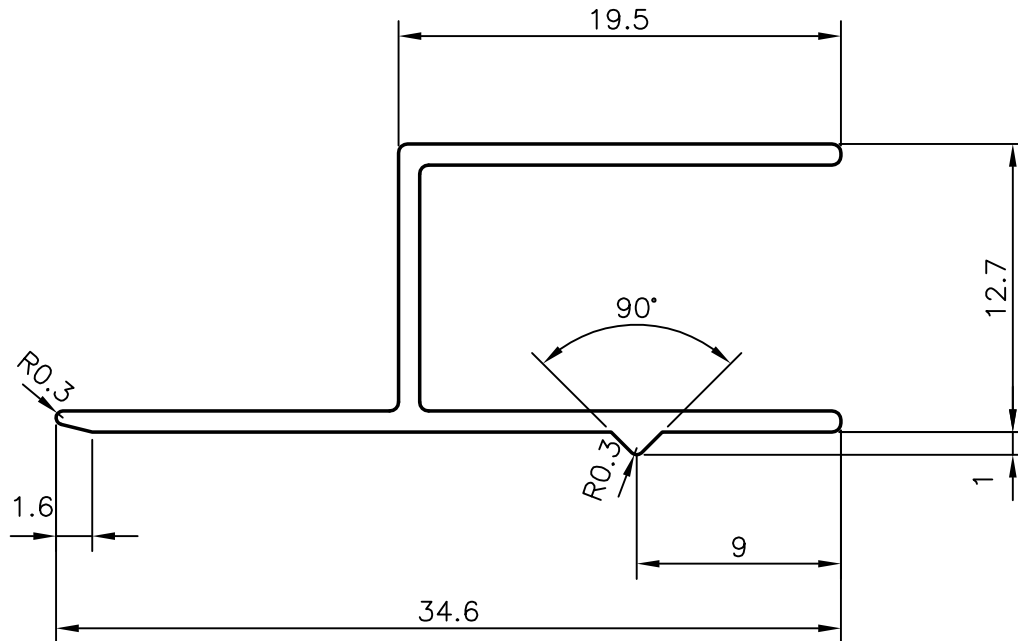


6066

24214



1:1



WALL THICKNESS:- 0.93 mm.

JINDAL ALUMINIUM LTD.**BANGALORE-560073**

NAME

DATE

DRAWN

R.D.Sharma

15-03-98

CHECKED

APPROVED

1. ALL DIMENSIONS ARE IN mm.
2. ROUND OFF ALL SHARP CORNERS WITH 0.4 mm.
3. TOLERANCES WILL BE AS PER IS: 3965-1981 ,UNLESS OTHERWISE SPECIFIED

PARTY'S NAME

-

SCALE

3:1

PARTY'S DRAWING No.

NIL

WEIGHT kg/m

0.166

ALLOY & TEMPER

HE9 WP

SECTION No.

24214

LENGTH

3658 mm.

DRAWING No.

DESCRIPTION

WINDOW BASE

24214