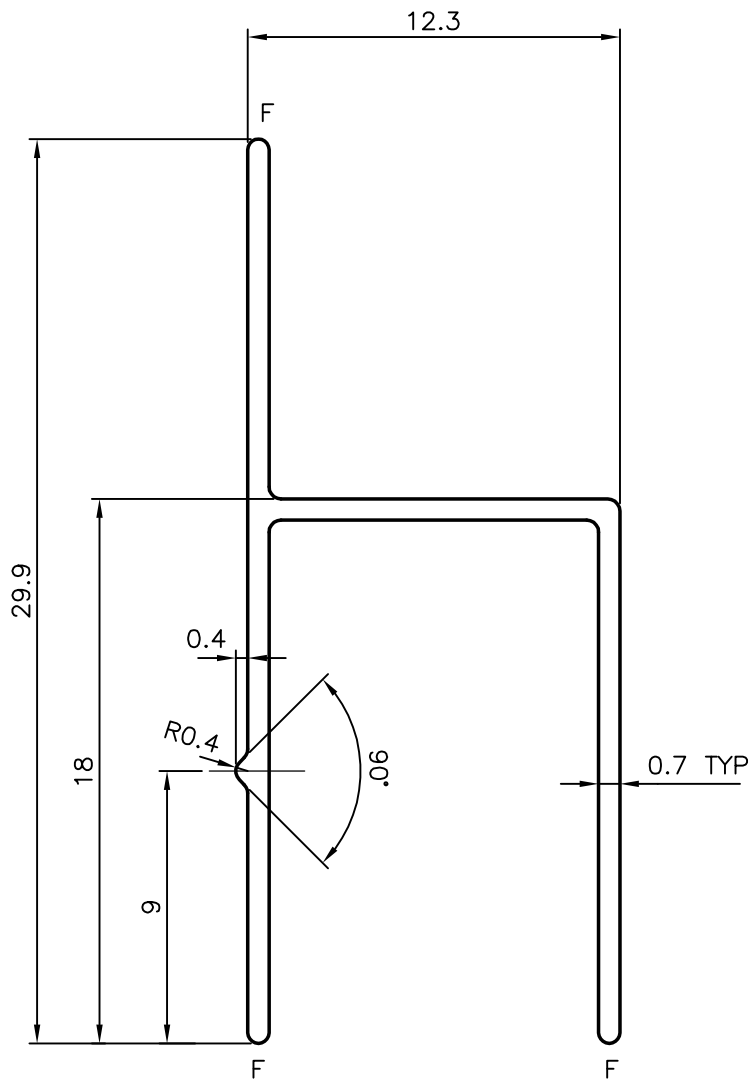



P-5463

24235



AVERAGE WEIGHT:- 0.410 kg/3658 mm

F = FULL RADIUS (3 PLACES)

 SYMBOL OF QUALITY AN ISO 9001 COMPANY	JINDAL ALUMINIUM LTD. BANGALORE-560073 (INDIA)	NAME		DATE
		DRAWN	MALINGAPPA	27-04-2005
1. ALL DIMENSIONS ARE IN mm. 2. ROUND OFF ALL SHARP CORNERS WITH 0.40 mm. 3. TOLERANCES WILL BE AS PER IS:3965-1981 UNLESS OTHERWISE SPECIFIED		CHECKED		
		APPROVED		
PARTY'S NAME GENERAL CATEGORY, KOLKATA MARKET		SCALE		4:1
		AREA mm ²		41.363
PARTY'S DRAWING No. AS PER SAMPLE/WEIGHT		PERIMETER mm.		117.674
		WEIGHT kg/m		0.112
ALLOY & TEMPER HE9 WP		DRAWING No.		SECTION No.
		P-5463		-
DESCRIPTION BUS WINDOW GUIDE FRAME		24235		24235