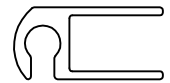


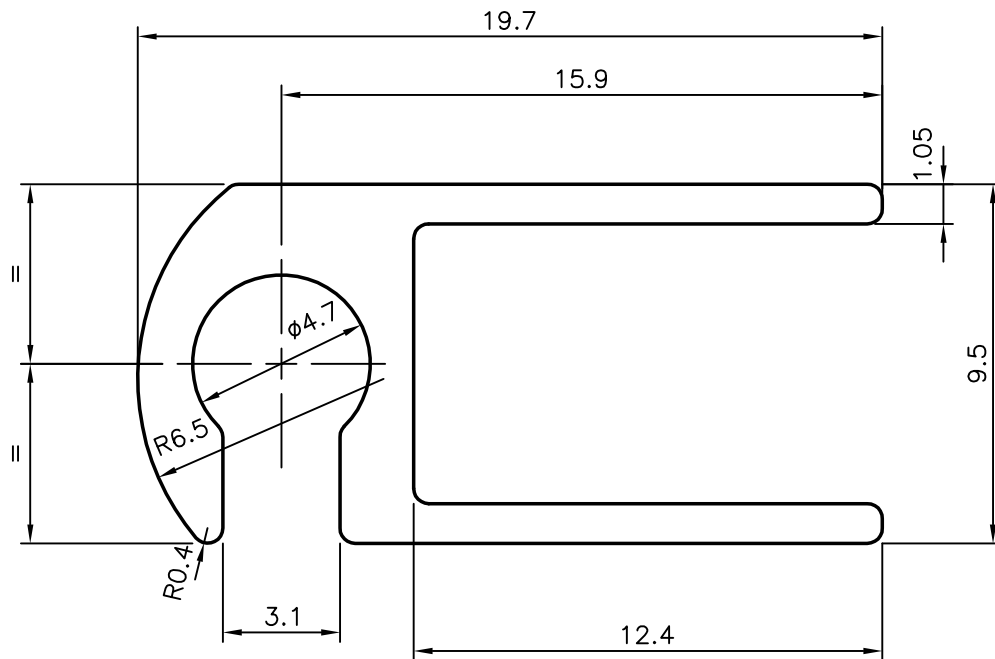
P-5664

24238

1:1



WEIGHT PER 3658 mm. LONG PIECE:-0.625 kgs (AVERAGE)



SYMBOL OF QUALITY
AN ISO 9002 COMPANY

JINDAL ALUMINIUM LTD.
BANGALORE-560073 (INDIA)

	NAME	DATE
DRAWN	MALINGAPPA	09-07-2005
CHECKED		
APPROVED		

1. ALL DIMENSIONS ARE IN mm.
2. ROUND OFF ALL SHARP CORNERS WITH 0.40 mm.
3. TOLERANCES WILL BE AS PER IS:3965-1981 UNLESS OTHERWISE SPECIFIED

SCALE	5:1
AREA mm ²	63.654
PERIMETER mm.	93.009
WEIGHT kg/m	0.172

PARTY'S NAME	GENERAL CATEGORY, KOLKATA MARKET
PARTY'S DRAWING No.	AS PER SAMPLE & SPECIFICATION
ALLOY & TEMPER	HE9 WP
DESCRIPTION	BUS WINDOW GUIDE FRAME

DRAWING No.	SECTION No.
P-5664	-
24238	24238