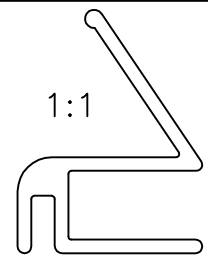


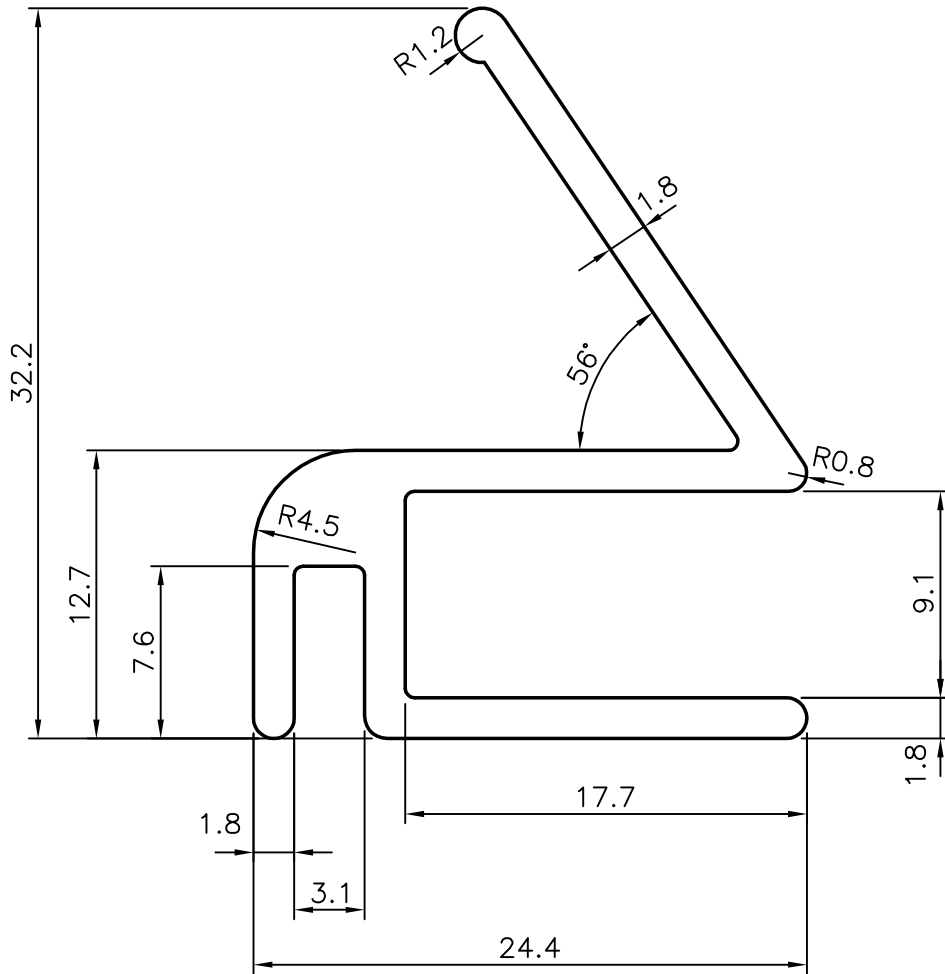
P-5658

24304



1:1

WEIGHT PER 3658 mm. LONG PIECE:-1.600 kgs (AVERAGE)



SYMBOL OF QUALITY
AN ISO 9002 COMPANY

JINDAL ALUMINIUM LTD.
BANGALORE-560073 (INDIA)

	NAME	DATE
DRAWN	MALINGAPPA	09-07-2005
CHECKED		
APPROVED		

1. ALL DIMENSIONS ARE IN mm.
2. ROUND OFF ALL SHARP CORNERS WITH 0.40 mm.
3. TOLERANCES WILL BE AS PER IS:3965-1981 UNLESS OTHERWISE SPECIFIED

SCALE	3:1
AREA mm ²	162.725
PERIMETER mm.	165.225
WEIGHT kg/m	0.439

PARTY'S NAME	GENERAL CATEGORY, KOLKATA MARKET
PARTY'S DRAWING No.	AS PER SAMPLE & SPECIFICATION
ALLOY & TEMPER	HE9 WP
DESCRIPTION	TRANSPORT SECTION

DRAWING No.	SECTION No.
P-5658	-
24304	24304