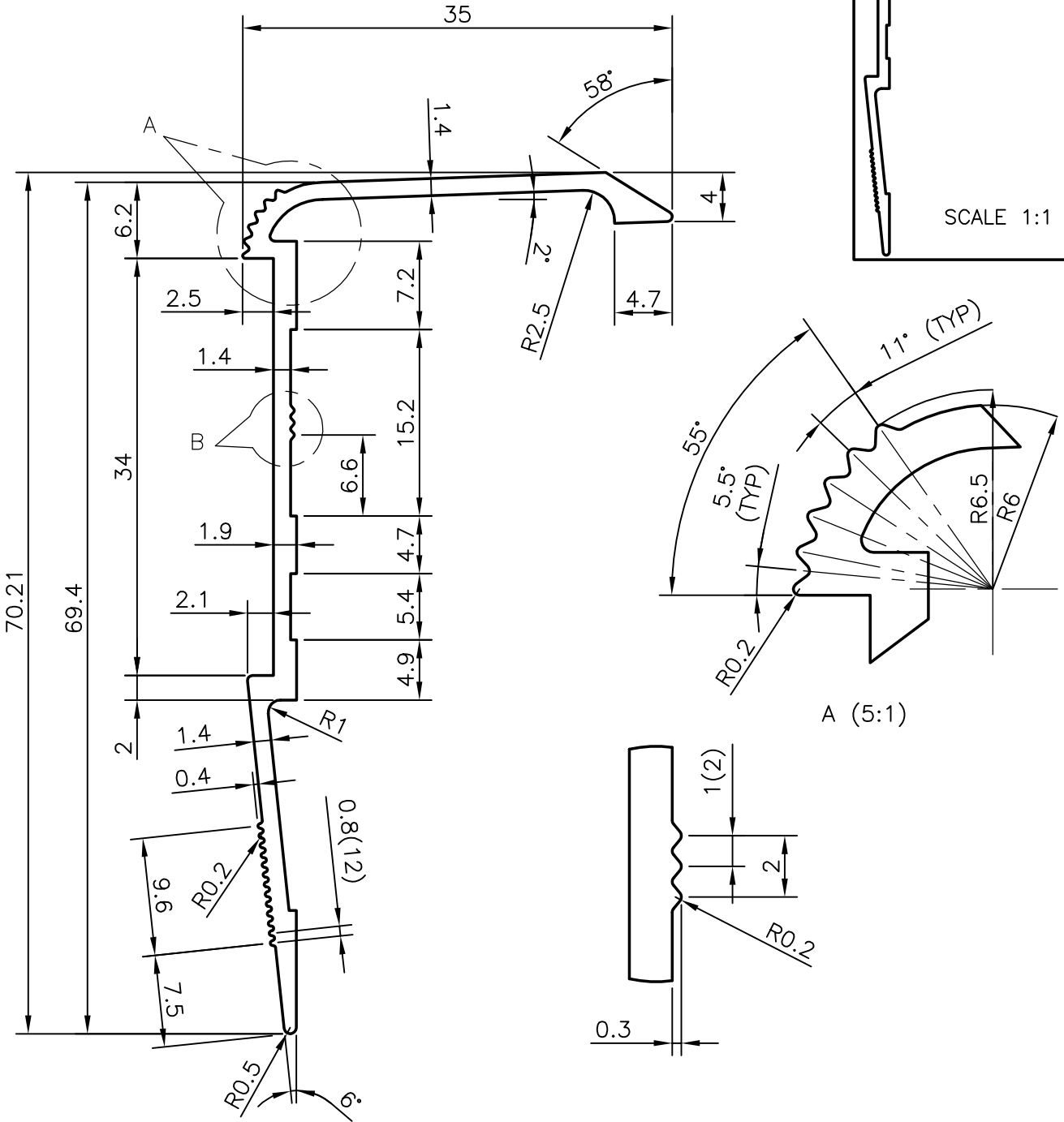
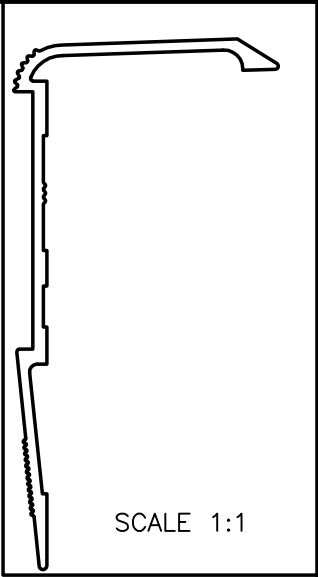


5293
6533
24426



JINDAL ALUMINIUM LTD.
BANGALORE-560073 (INDIA)

	NAME	DATE
DRAWN	PRASANNA.H.	13-12-2006
CHECKED		
APPROVED		

1. ALL DIMENSIONS ARE IN mm.
2. ROUND OFF ALL SHARP CORNERS WITH 0.40 mm.
3. TOLERANCES WILL BE AS PER IS:3965-1981 UNLESS OTHERWISE SPECIFIED

SCALE	2:1
AREA mm ²	165.668
PERIMETER mm.	224.194
WEIGHT kg/m	0.447

PARTY'S NAME	SUTLEJ MOTORS LIMITED, JALANDHAR
PARTY'S DRAWING No.	AS PER SAMPLE
ALLOY & TEMPER	HE9 WP
DESCRIPTION	TRANSPORT SECTION

DRAWING No.	SECTION No.
5293	-
6533	6533
24426	24426