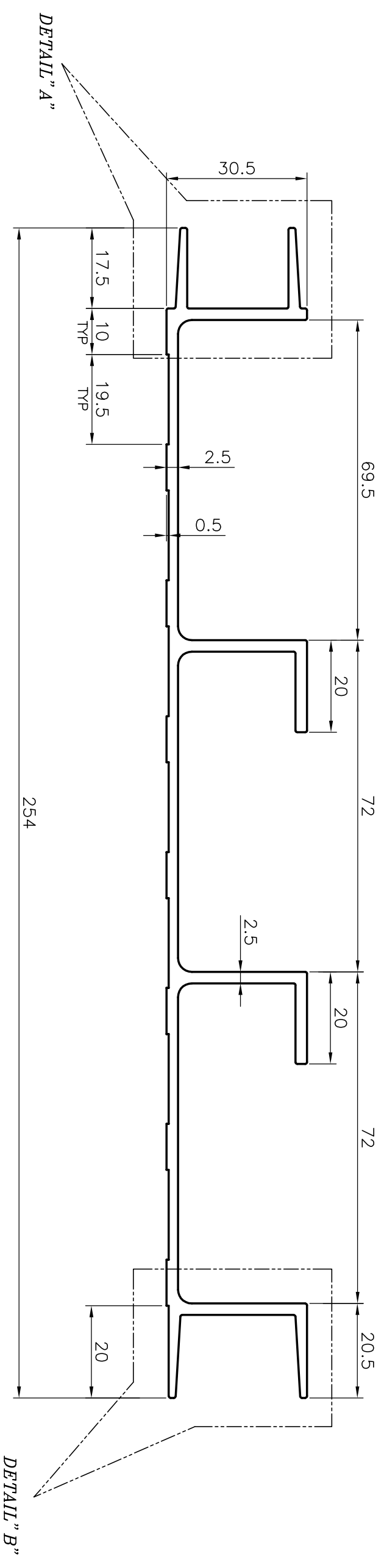
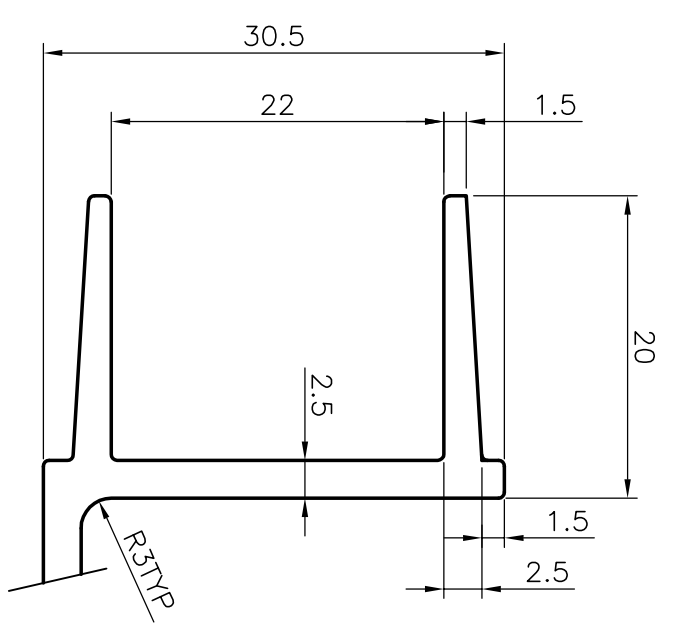


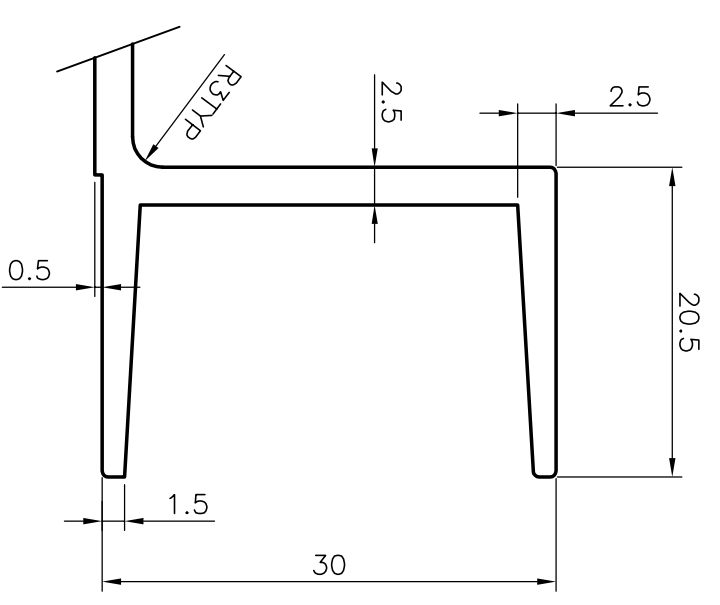
P-4642
6555
24445




DETAIL "A"
SCALE 2:1



DETAIL "B"
SCALE 2:1



GENERAL WALL THICKNESS = 2.50 mm

 SYMBOL OF QUALITY AN ISO 9001 COMPANY	JINDAL ALUMINIUM LTD. BANGALORE-560073 (INDIA)	
	1. ALL DIMENSIONS ARE IN mm. 2. ROUND OFF ALL SHARP CORNERS WITH 0.40 mm. 3. TOLERANCES WILL BE AS PER IS: 3965-1981 UNLESS OTHERWISE SPECIFIED	
PARTY'S NAME	GENERAL CATEGORY, COCHIN MARKET.	
PARTY'S DRAWING No.	AS PER SAMPLE	
ALLOY & TEMPER	HE9 WP	
DESCRIPTION	TRANSPORT SECTION	
	NAME	DATE
	RAGHAVENDRA	30-12-2003
	CHECKED	
	APPROVED	
	SCALE	1:1
	AREA mm ²	997.74
	PERIMETER mm.	868.93
	WEIGHT kg/m	2.694
	DRAWING No.	SECTION No.
	P-4642	-
	6555	6555
	24445	24445