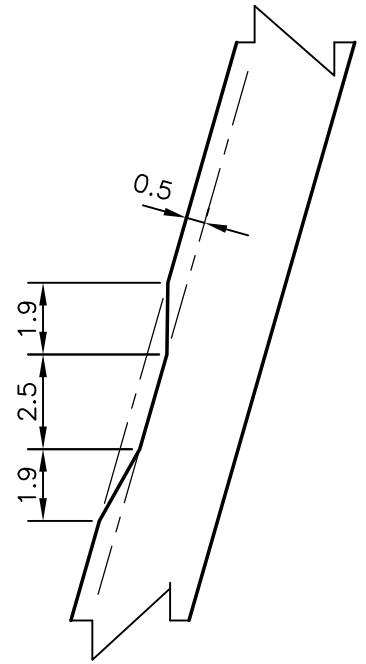
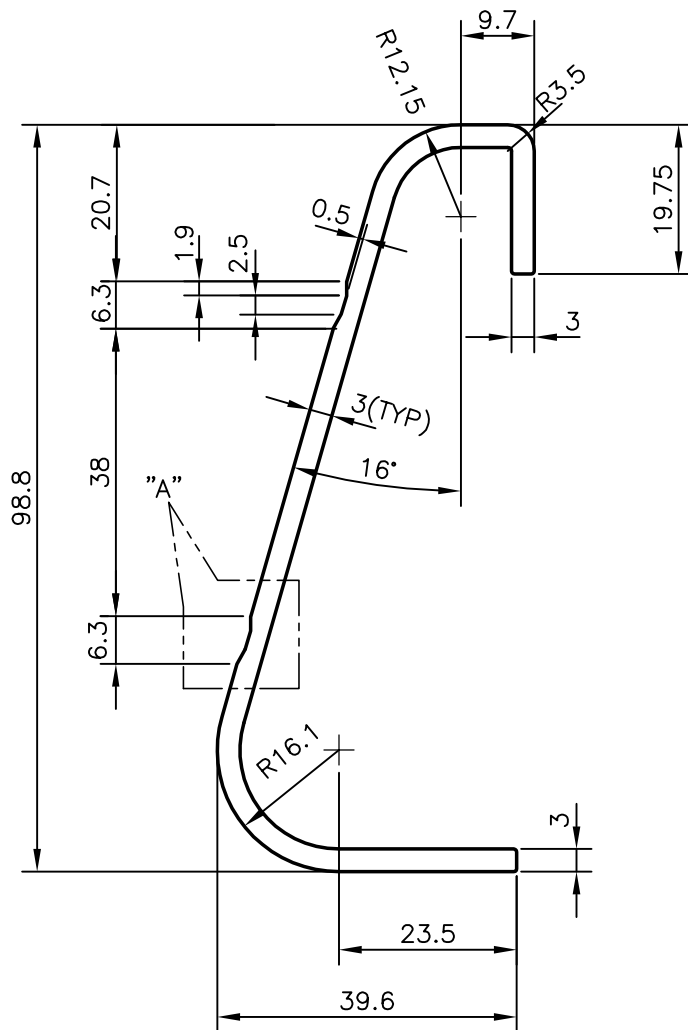


P-9171

S2130

24479



DETAIL OF "A"
SCALE 5:1



SYMBOL OF QUALITY
AN ISO 9001 COMPANY

JINDAL ALUMINIUM LTD.
BANGALORE-560073 (INDIA)

	NAME	DATE
DRAWN	J.P.KAUSHIK	15-04-2009
CHECKED		
APPROVED		

1. ALL DIMENSIONS ARE IN mm.
2. ROUND OFF ALL SHARP CORNERS WITH 0.40 mm.
3. TOLERANCES WILL BE AS PER IS:3965-1981 UNLESS OTHERWISE SPECIFIED

SCALE	1:1
AREA mm ²	481.639
PERIMETER mm.	329.795
WEIGHT kg/m	1.300

PARTY'S NAME	DELUX SEAT FRAME WORKS, COIMBATORE	DRAWING No.	P-9171	SECTION No.	-
PARTY'S DRAWING No.	AS PER DRAWING		S2130		S2130
ALLOY & TEMPER	HE9 WP		24479		24479
DESCRIPTION	TRANSPORT SECTION				