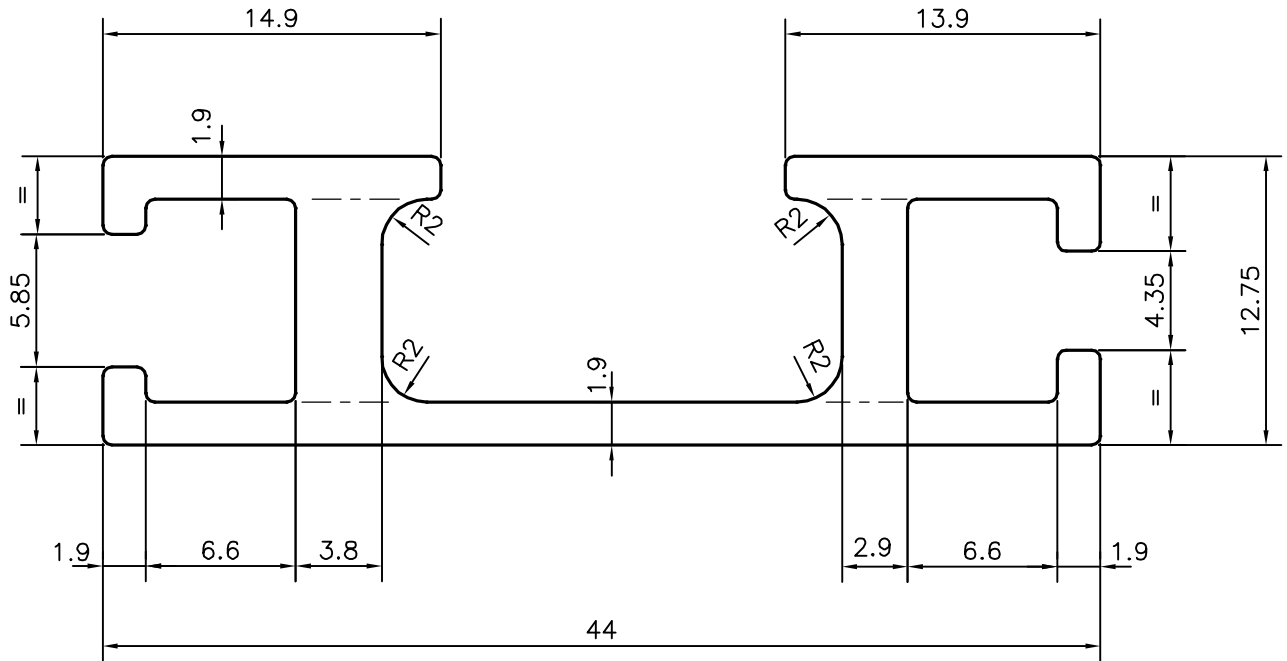
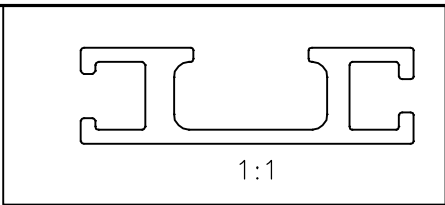



P-15863
S4948
24517



 SYMBOL OF QUALITY AN ISO 9001 COMPANY	JINDAL ALUMINIUM LTD. BANGALORE-560073 (INDIA)	DRAWN	NAME	DATE
		CHECKED	J.P.KAUSHIK	14-05-2016
1. ALL DIMENSIONS ARE IN mm. 2. ROUND OFF ALL SHARP CORNERS WITH 0.40 mm. 3. TOLERANCES WILL BE AS PER,IS:3965-1981 UNLESS OTHERWISE SPECIFIED		APPROVED	S.S. GARG	26-05-2016
		SCALE		3:1
PARTY'S NAME ELLORA BAKERY EQUIPMENTS, TRICHY		AREA mm ²	216.074	
		PERIMETER mm.	187.246	
PARTY'S DRAWING No. AS PER SAMPLE		WEIGHT kg/m	0.583	
		DRAWING No.	SECTION No.	
ALLOY & TEMPER 6063 T6		P-15863	-	
		S4948	S4948	
DESCRIPTION TRANSPORT SECTION		24517	24517	