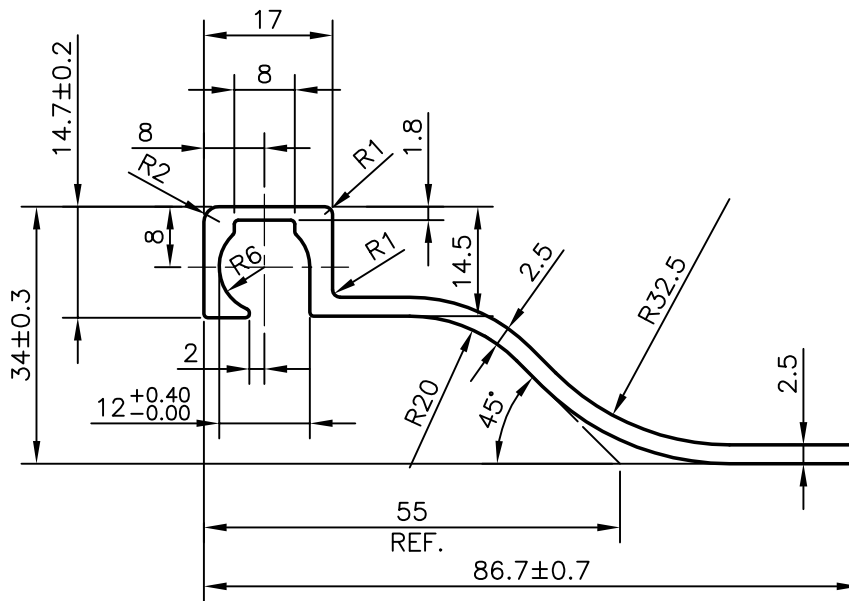


P-6773

S1889

X664

24576



UNSPECIFIED CORNER RADII = 0.50mm



SYMBOL OF QUALITY
AN ISO 9001 COMPANY

JINDAL ALUMINIUM LTD.
BANGALORE-560073 (INDIA)

	NAME	DATE
DRAWN	RAGHAVENDRA	27-10-2006
CHECKED		
APPROVED		

1. ALL DIMENSIONS ARE IN mm.
2. ROUND OFF ALL SHARP CORNERS WITH 0.50 mm.
3. TOLERANCES WILL BE AS PER IS:3965-1981 UNLESS OTHERWISE SPECIFIED

SCALE	1:1
AREA mm ²	304.684
PERIMETER mm.	239.145
WEIGHT kg/m	0.823

PARTY'S NAME HANSPAL TRADERS, KAPURTHALA

PARTY'S DRAWING No. LW62108

ALLOY & TEMPER 63400 WP (HE9 WP)

DESCRIPTION COVER PROFILE

DRAWING No.	SECTION No.
P-6773	-
S1889	S1889
X664	X664
24576	24576