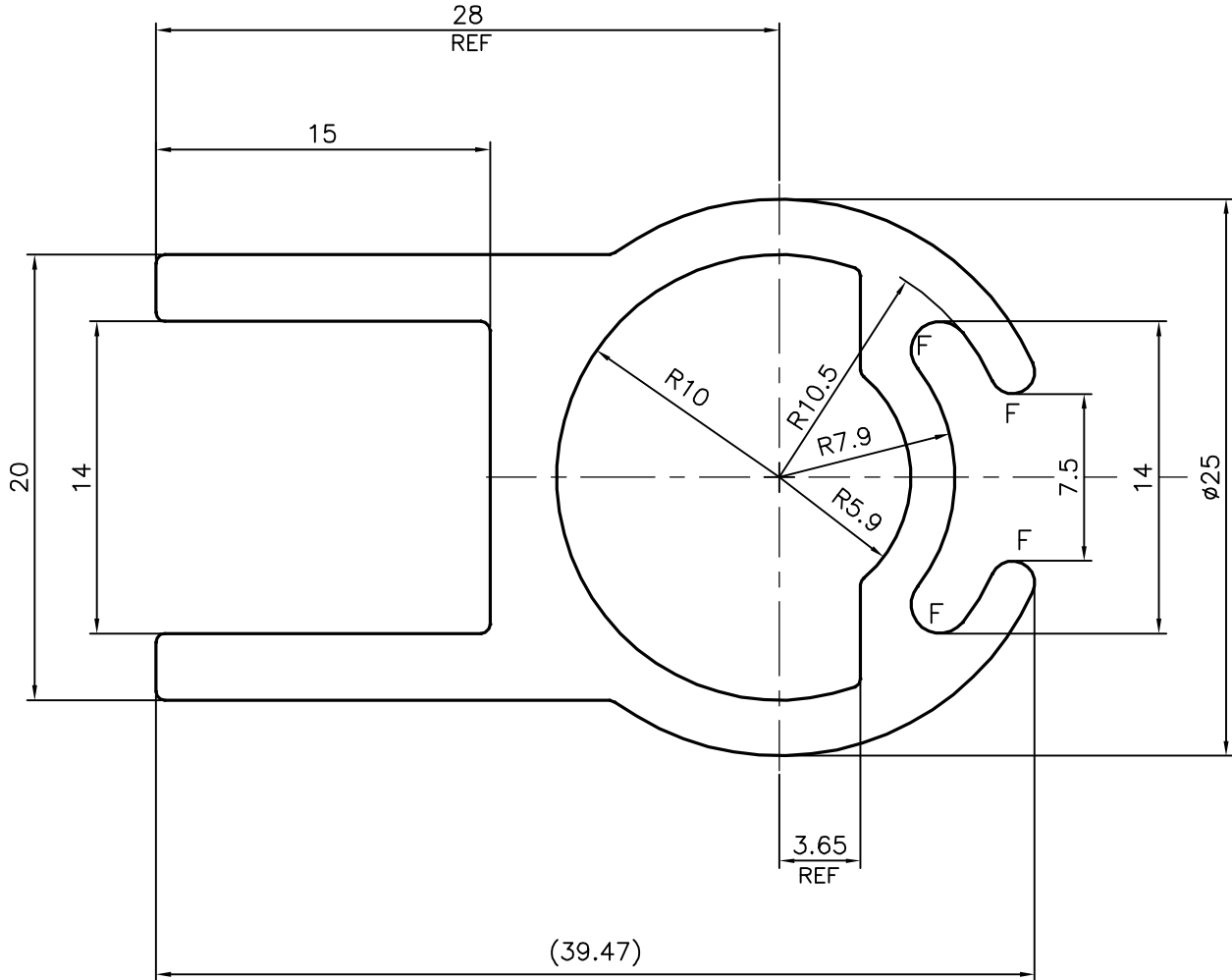
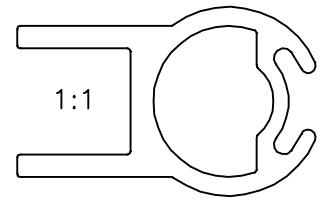


P-17953-1

S5725

24584



SYMBOL OF QUALITY
AN ISO 9001 COMPANY

JINDAL ALUMINIUM LTD.
BANGALORE-560073 (INDIA)

	NAME	DATE
DRAWN	J.P.KAUSHIK	15-03-2018
CHECKED		
APPROVED	B.NATARAJA	17-03-2018
SCALE		3:1
AREA mm ²		324.251
PERIMETER mm.		164.763
WEIGHT kg/m		0.875
DRAWING No.	SECTION No.	
P-17953-1	-	
S5725	S5725	
24584	24584	

1. ALL DIMENSIONS ARE IN mm.
2. ROUND OFF ALL SHARP CORNERS WITH 0.40 mm.
3. TOLERANCES WILL BE AS PER IS:6477-1983 , UNLESS OTHERWISE SPECIFIED

PARTY'S NAME	HANSPAL TRADERS, KAPURTHALA
PARTY'S DRAWING No.	AS PER DRAWING
ALLOY & TEMPER	6063 T6
DESCRIPTION	MISC. SECTION