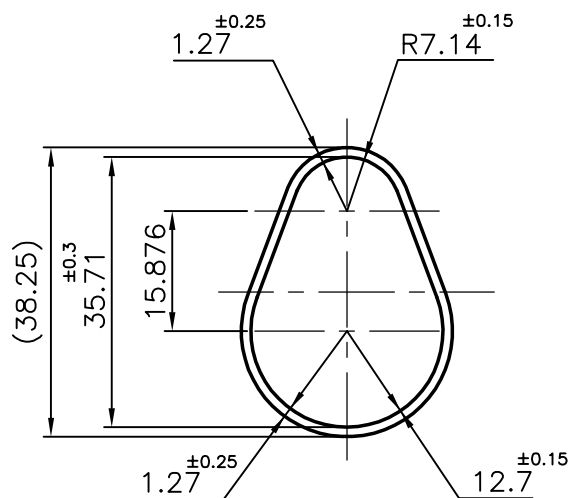





7201

24701



 SYMBOL OF QUALITY AN ISO 9002 COMPANY	JINDAL ALUMINIUM LTD. BANGALORE-560073 (INDIA)			NAME	DATE
			DRAWN	RAO	
1. ALL DIMENSIONS ARE IN mm. 2. ROUND OFF SHARP CORNERS WITH 0.015" R/0.4mm R. 3. TOLERANCES WILL BE AS PER IS: 6477-1983, UNLESS OTHERWISE SPECIFIED.			CHECKED		
			APPROVED		
			SCALE	1:1	
PARTY'S NAME	TEXTILE MACHINERY DEVELOPMENTS, COIMBATORE		WEIGHT kg/m	0.343	
PARTY'S DRAWING No.	3SFP001-1	FINISH	EXTRUDED	SECTION No.	 24701
ALLOY & TEMPER	HE 9 WP	LENGTH:	304.8 mm	DRAWING No.	
DESCRIPTION	PNEUMAFI TUBE		 24701		