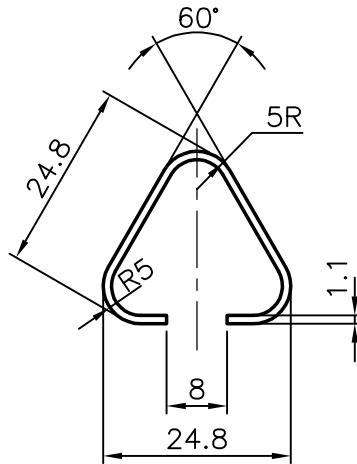



7218

24715

-



 SYMBOL OF QUALITY AN ISO 9002 COMPANY	<b>JINDAL ALUMINIUM LTD.</b> <b>BANGALORE-560073 (INDIA)</b>			NAME	DATE
			DRAWN	R.D.SHARMA	07-01-1981
1. ALL DIMENSIONS ARE IN MM. 2. ROUND OFF SHARP CORNERS WITH 0.015" R/0.4mm R. 3. TOLERANCES WILL BE AS PER IS:3965-1981.			CHECKED		
			APPROVED		
			SCALE	1:1	
PARTY'S NAME	-		WEIGHT kg/m	0.192	
PARTY'S DRAWING No.	-	FINISH	AS EXTRUDED	SECTION No.	24715
ALLOY & TEMPER	HE 9 - WP	LENGTH:	AS REQUIRED	DRAWING No.	
DESCRIPTION	BOBBIN			24715	