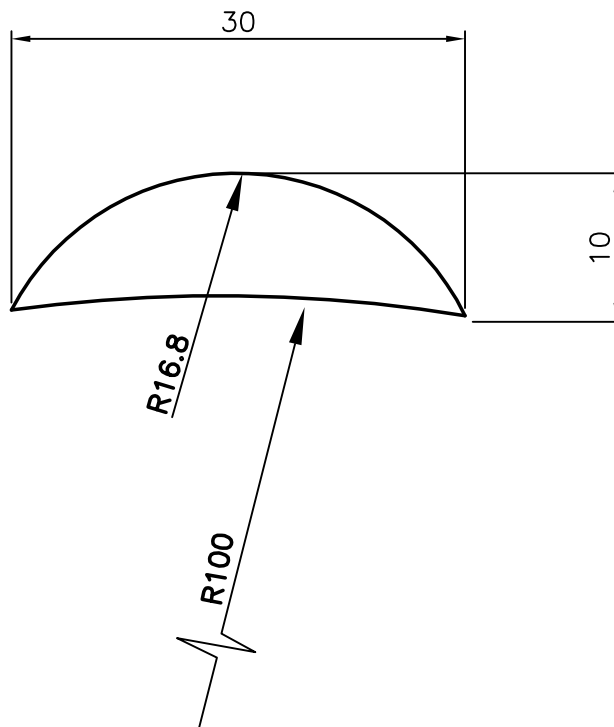



7246

24734



| | | | | | | |
|---|---|---------|--|-------------|-----------------------|--------|
|  SYMBOL OF QUALITY AN ISO 9002 COMPANY | JINDAL ALUMINIUM LTD. BANGALORE-560073 (INDIA) | | | | NAME | DATE |
| | | | | DRAWN | A.BHATIA | 1.6.91 |
| 1. ALL DIMENSIONS ARE IN MM. 2. ROUND OFF SHARP CORNERS WITH 0.4mm R. 3. TOLERANCES WILL BE AS PER IS:3965-1981,UNLESS OTHERWISE SPECIFIED. | | | | CHECKED | | |
| | | | | APPROVED | | |
| | | | | SCALE | 2:1 | |
| PARTY'S NAME | WADHULA TEXTILE COIMBATORE | | | WEIGHT kg/m | 0.534 | |
| PARTY'S DRAWING No. | - | FINISH | | SECTION No. | XXXX 24734 | |
| ALLOY & TEMPER | HE 9 WP | LENGTH: | Multiples of 956mm ⁺⁸ ₋₀ | DRAWING No. | XXXX 24734 | |
| DESCRIPTION | HALF ROUND | | | | | |