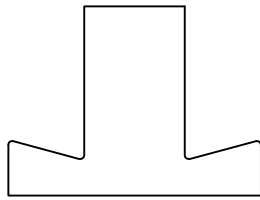
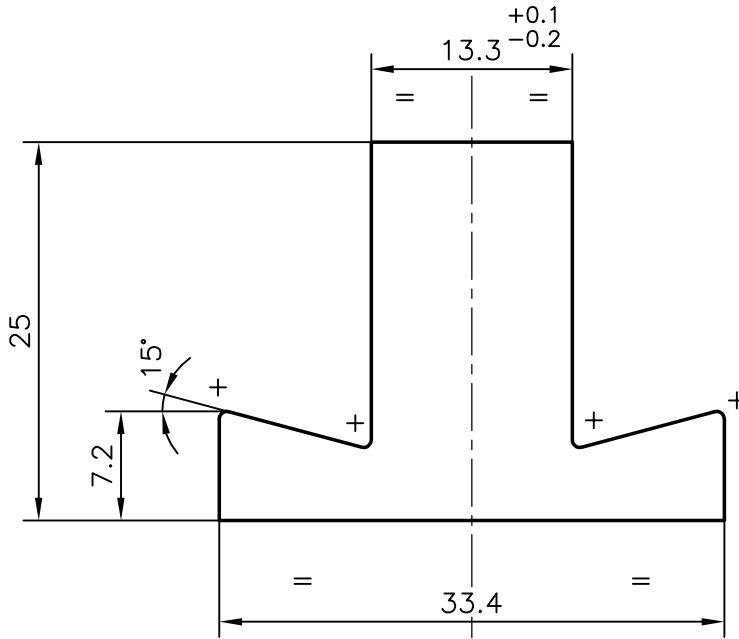


7252
24739



1:1

GENERAL	EXCLUSIVE	PARTLY EXCLUSIVE
---------	-----------	------------------



+ = 0.5 RADIUS (4)

JINDAL ALUMINIUM LTD. BANGALORE-560073		NAME	DATE
		DRAWN	R.D.Sharma 01-07-97
1. ALL DIMENSIONS ARE IN mm. 2. ROUND OFF ALL SHARP CORNERS WITH 0.4 mm. 3. TOLERANCES WILL BE AS PER IS: 3965-1981 ,UNLESS OTHERWISE SPECIFIED		CHECKED	
		APPROVED	
		SCALE	2:1
PARTY'S NAME	LAKSHMI CARD CLOTHING MANUFACTURING COMPANY LTD., COIMBATORE	WEIGHT kg/m	1.224
PARTY'S DRAWING No.	12-4438 (REV. NO. 02)	SECTION No.	24739
ALLOY & TEMPER	63400 T6 (HE9 WP)	DRAWING No.	24739
LENGTH	1025 ± 6 / ₀ mm.		
DESCRIPTION	-		