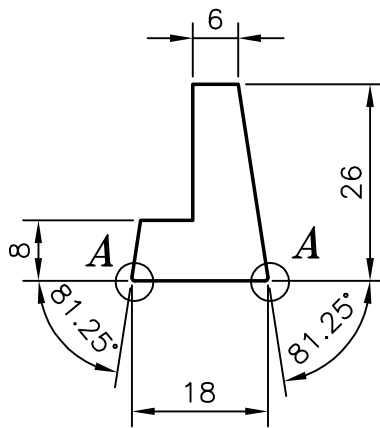
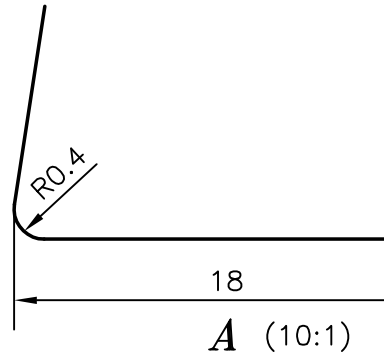


7260
24746



JINDAL ALUMINIUM LTD. <i>BANGALORE-560073</i>		NAME	DATE
		DRAWN	R.D.Sharma 20-09-97
1. ALL DIMENSIONS ARE IN mm. 2. ROUND OFF ALL SHARP CORNERS WITH 0.4 mm. 3. TOLERANCES WILL BE AS PER IS: 3965-1981 ,UNLESS OTHERWISE SPECIFIED		CHECKED	
		APPROVED	
		SCALE	1:1
PARTY'S NAME	JEEVAN CHAMPA CORPORATION, BANGALORE	WEIGHT kg/m	0.724
PARTY'S DRAWING No.	—	SECTION No.	24746
ALLOY & TEMPER	HE30 WP	DRAWING No.	24746
LENGTH	2745 mm.		
DESCRIPTION	MISCELLANEOUS BAR		