

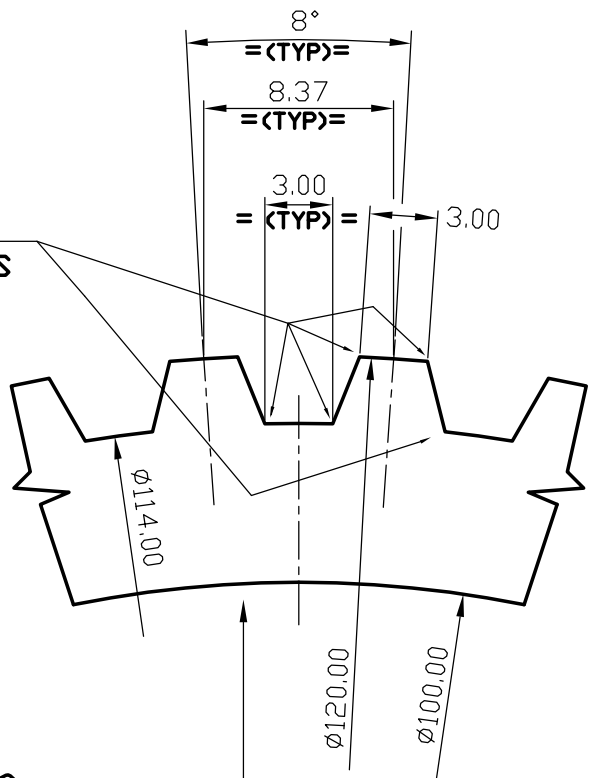
S639

7279

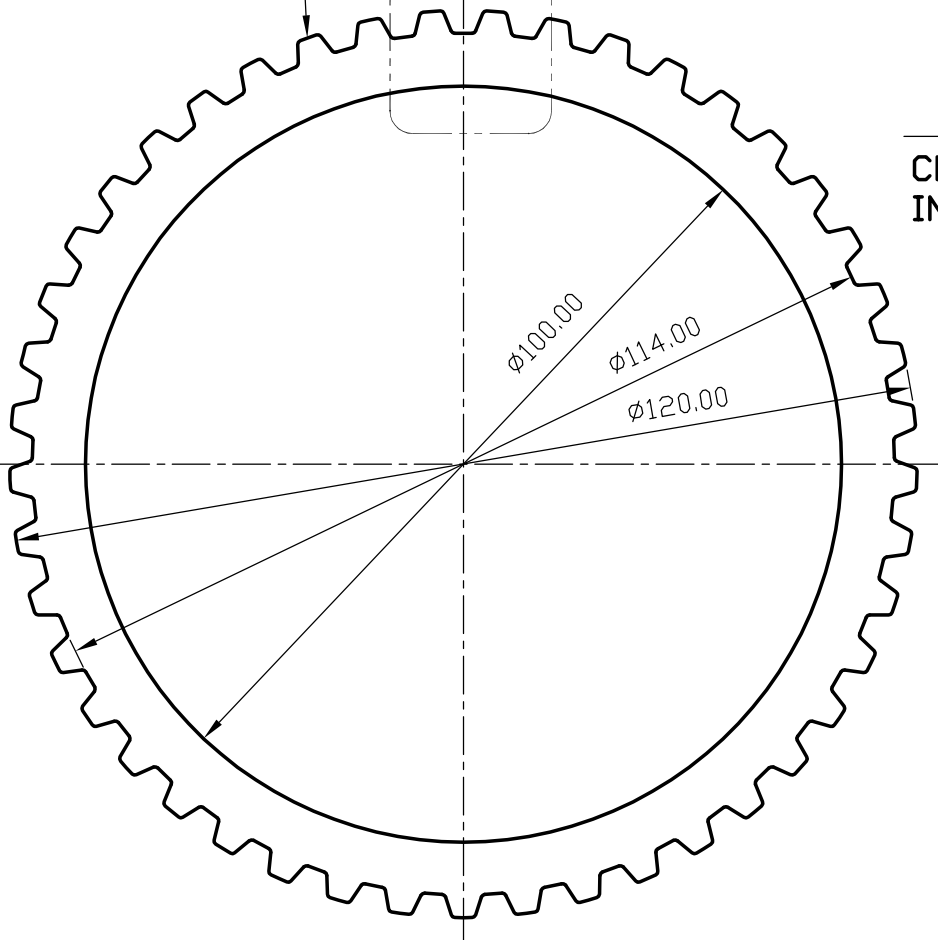
24764

TO CORNER POINT  
THEN 0.50 RADII  
SAME IN ALL PLACES

No OFF THEETH 45



CLEAR VIEW OF THEETH  
IN SCALE 3:1



SYMBOL OF QUALITY  
AN ISO 9002 COMPANY

**JINDAL ALUMINIUM LTD.**  
BANGALORE-560073 (INDIA)

	NAME	DATE
DRAWN	P,KULKARNI	21-2-2000
CHECKED		
APPROVED		

1. ALL DIMENSIONS ARE IN mm.
2. ROUND OFF ALL SHARP CORNERS WITH 0.50 mm.
3. TOLERANCES WILL BE AS PER IS:6477-1983 UNLESS OTHERWISE SPECIFIED

PARTY'S NAME	<b>LAKSHMI MACHINE WORKS LTD, COIMBATORE.</b>	
PARTY'S DRAWING No.	<b>0 074 351/1</b>	
ALLOY & TEMPER	<b>HE9 WP</b>	LENGTH: —
DESCRIPTION	<b>ROUND FLUTED TUBE</b>	

SCALE	1:1
WEIGHT kg/m	7.803
SECTION No.	24764
DRAWING No.	24764