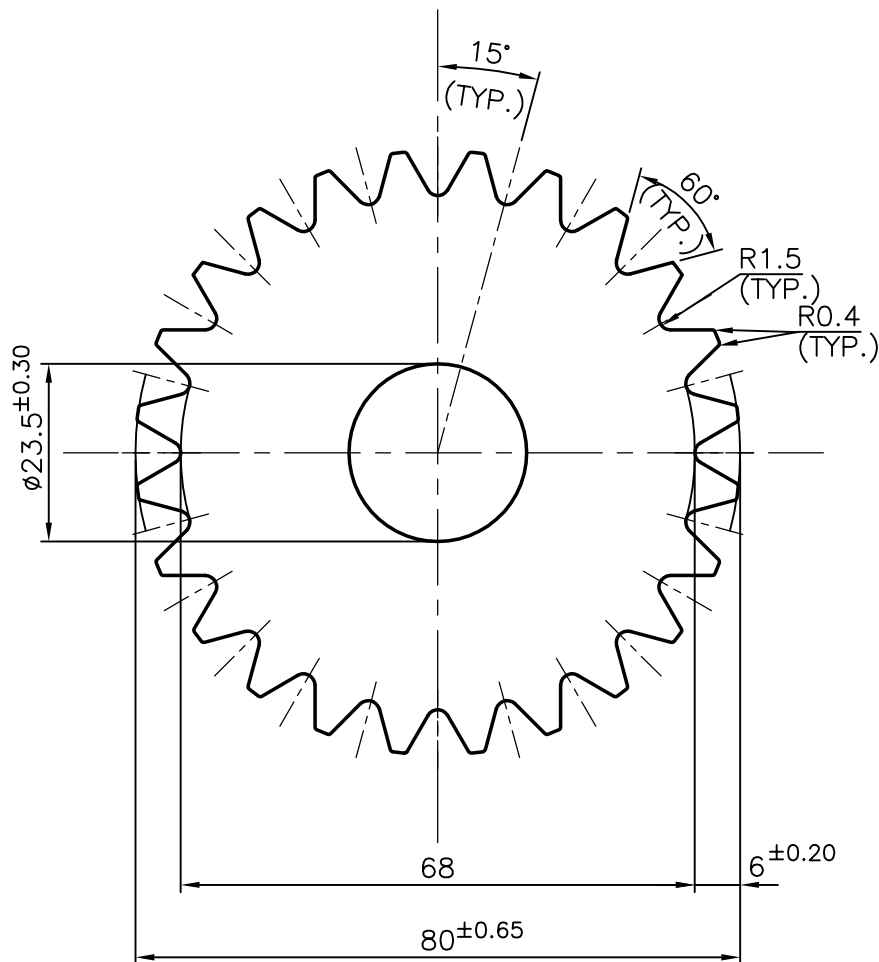


S049

9161

24776



SYMBOL OF QUALITY
AN ISO 9002 COMPANY

JINDAL ALUMINIUM LTD.
BANGALORE-560073 (INDIA)

	NAME	DATE
DRAWN	R.D.SHARMA	12-8-94
CHECKED		
APPROVED		

1. ALL DIMENSIONS ARE IN mm
2. ROUND OFF SHARP CORNERS WITH 0.4mm R
3. TOLERANCES WILL BE AS PER IS : 3965-1981

PARTY'S NAME	TRUMAC ENGINEERING CO. LIMITED AHMEDABAD			SCALE	1:1
PARTY'S DRAWING No.	-	FINISH	-	WEIGHT kg/m	10.430
ALLOY & TEMPER	HE 9 WP	LENGTH:	946mm $\begin{matrix} +5mm \\ -0 \end{matrix}$	SECTION No.	24776
DESCRIPTION	INDUSTRIAL SECTION			DRAWING No.	24776