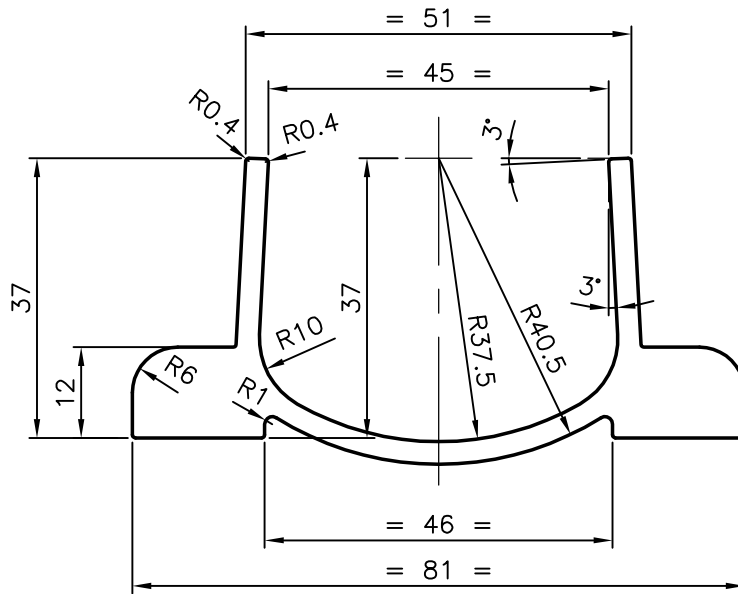


P-5802

S1575

24788



TWIST & BEND:- 1.70 mm./M



SYMBOL OF QUALITY
AN ISO 9001 COMPANY

JINDAL ALUMINIUM LTD.
BANGALORE-560073 (INDIA)

	NAME	DATE
DRAWN	MALINGAPPA	10-08-2005
CHECKED		
APPROVED		
SCALE		1:1
AREA mm ²		706.403
PERIMETER mm.		296.435
WEIGHT kg/m		1.907
DRAWING No.	SECTION No.	
P-5802	-	
S1575	S1575	
24788	24788	

1. ALL DIMENSIONS ARE IN mm.
2. ROUND OFF ALL SHARP CORNERS WITH 0.40 mm.
3. TOLERANCES WILL BE AS PER IS:3965-1981 UNLESS OTHERWISE SPECIFIED

PARTY'S NAME	LAKZER CARD TOPS, COIMBATORE
PARTY'S DRAWING No.	LAK-POS-SUC-100
ALLOY & TEMPER	63400 T6
DESCRIPTION	TEXTILE SECTION