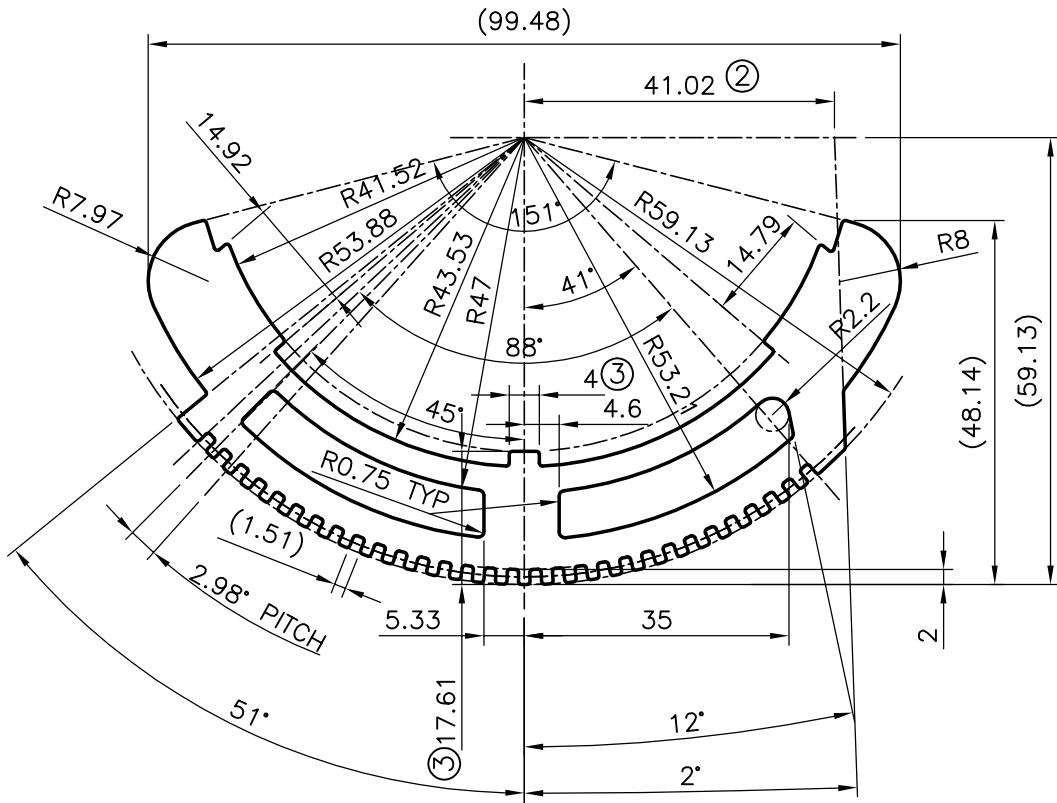


P-5936-1
S1634
24795




ISSUE-2

DIMENSION CHANGED FROM 39.2 TO 41.02  
 WEIGHT ALSO CHANGED FROM 3.636 kg/M TO 3.673 kg/M

ISSUE-3

ONE RIB ADDED DIMENSION ADDED 4.0mm & 17.61 mm  
 WEIGHT ALSO CHANGED FROM 3.673 kg/M TO 3.695 kg/M

 SYMBOL OF QUALITY AN ISO 9001 COMPANY	<b>JINDAL ALUMINIUM LTD.</b> BANGALORE-560073 (INDIA)	DRAWN	J.P.KAUSHIK	DATE	13-01-2012
		CHECKED			
		APPROVED	S.S. GARG		13-02-2012
1. ALL DIMENSIONS ARE IN mm. 2. ROUND OFF ALL SHARP CORNERS WITH 0.30 mm. 3. TOLERANCES WILL BE AS PER IS:6477-1983 UNLESS OTHERWISE SPECIFIED		SCALE		1:1	
		AREA mm <sup>2</sup>		1368.401	
		PERIMETER mm.		392.095	
PARTY'S NAME TEX-TECH INDUSTRIES,. COIMBATORE		WEIGHT kg/m		3.695	
		DRAWING No.		SECTION No.	
		P-5936-1		-	
PARTY'S DRAWING No. 1449-90		S1634		S1634	
		24795		24795(ISSUE-3)	
ALLOY & TEMPER HE9 WP					
DESCRIPTION TEXTILE M/C RY SECTION					