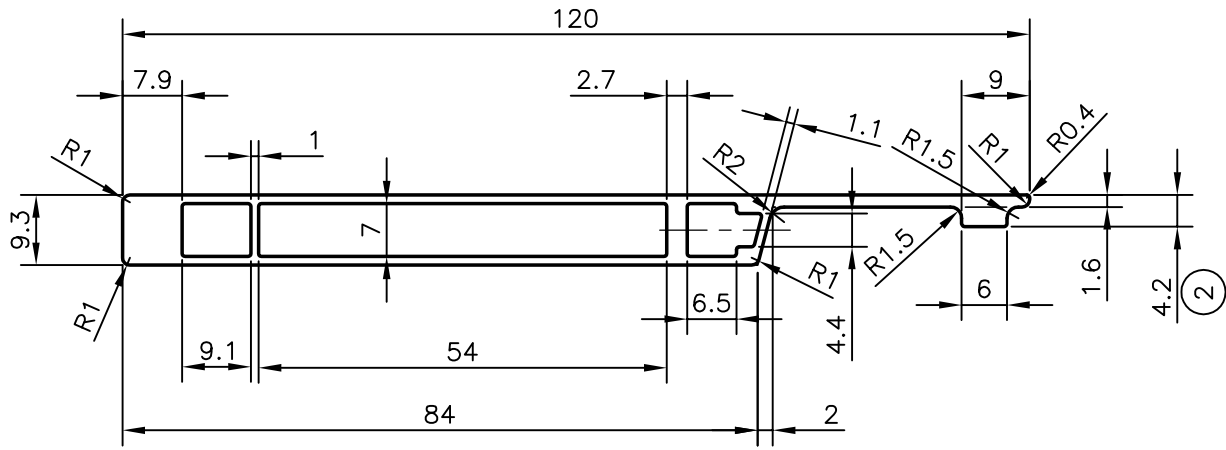


P-8301-1

24797



ISSUE - 2  
 DIMENSION CHANGED FROM 4.30 mm TO 4.20 mm



SYMBOL OF QUALITY  
 AN ISO 9001 COMPANY

**JINDAL ALUMINIUM LTD.**  
 BANGALORE-560073 (INDIA)

	NAME	DATE
DRAWN	PRASANNA.H	14-06-2008
CHECKED		
APPROVED		

1. ALL DIMENSIONS ARE IN mm.
2. ROUND OFF ALL SHARP CORNERS WITH 0.40 mm.
3. TOLERANCES WILL BE AS PER IS:6477-1983 UNLESS OTHERWISE SPECIFIED

SCALE	1:1
AREA mm <sup>2</sup>	363.253
PERIMETER mm.	258.275
WEIGHT kg/m	0.981

PARTY'S NAME	GENERAL CATEGORY, MUMBAI MARKET
PARTY'S DRAWING No.	AS PER SAMPLE
ALLOY & TEMPER	HE9 WP
DESCRIPTION	TEXTILE SECTION

DRAWING No.	SECTION No.
P-8301-1	-
24797	24797-ISSUE-2