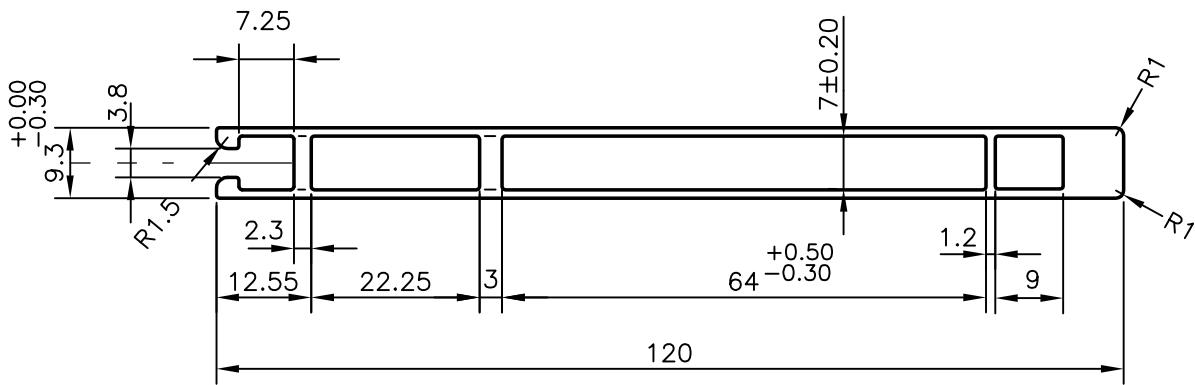



P-9225

24808



 SYMBOL OF QUALITY AN ISO 9001 COMPANY	JINDAL ALUMINIUM LTD. BANGALORE-560073 (INDIA)	NAME		DATE
		DRAWN	J.P.KAUSHIK	16-05-2009
1. ALL DIMENSIONS ARE IN mm. 2. ROUND OFF ALL SHARP CORNERS WITH 0.40 mm. 3. TOLERANCES WILL BE AS PER IS:6477-1983 UNLESS OTHERWISE SPECIFIED		CHECKED		
		APPROVED		
PARTY'S NAME GENERAL CATEGORY, MUMBAI MARKET		SCALE		1:1
		AREA mm ²		376.767
PARTY'S DRAWING No. AS PER SAMPLE		PERIMETER mm.		282.181
		WEIGHT kg/m		1.017
ALLOY & TEMPER HE9 WP		DRAWING No.		SECTION No.
		P-9225		-
DESCRIPTION TEXTILE SECTION		24808		24808