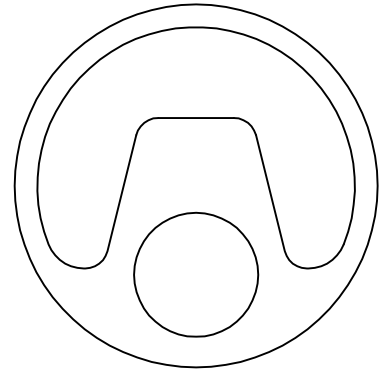


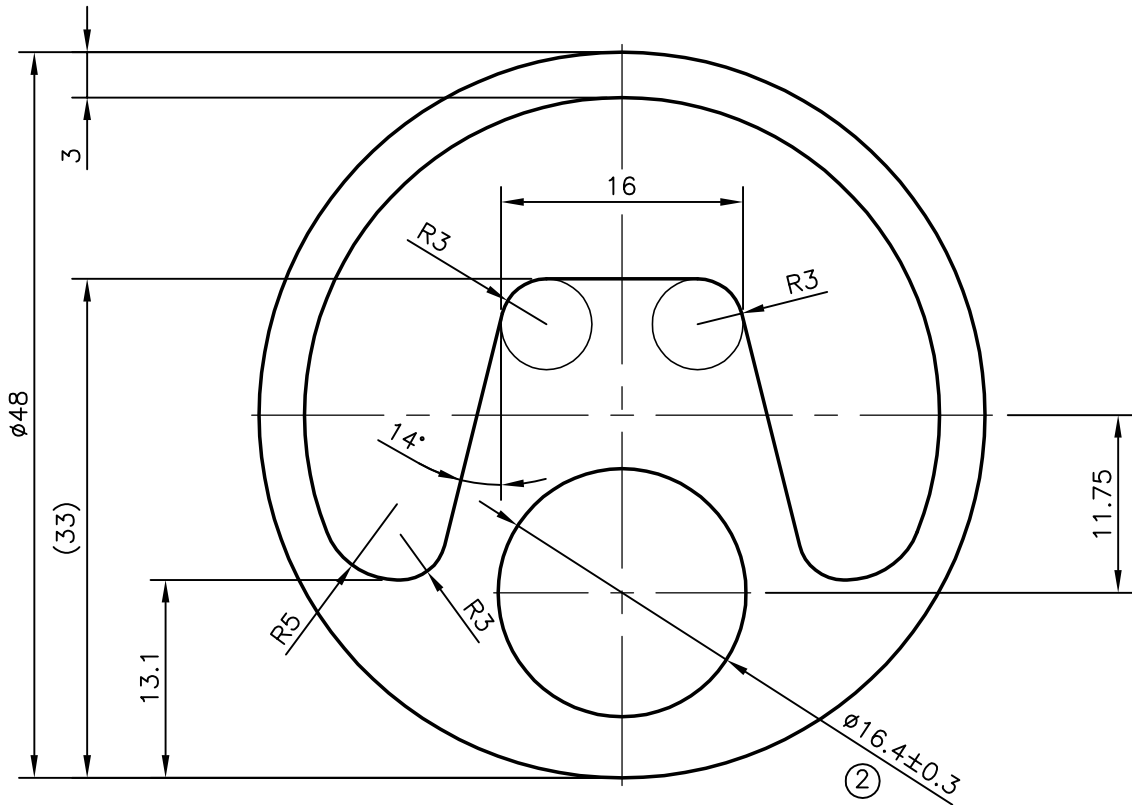
P-7130-1

S1991

24809



SCALE 1:1



ISSUE- ② DIMENSION CHANGED FROM  $16.7 \pm 0.5$  TO  $16.4 \pm 0.3$  AS PER CUSTOMER REQUIREMENT & WEIGHT ALSO CHANGED FROM 2.311 kg/M TO 2.332 kg/M ACCORDINGLY



SYMBOL OF QUALITY  
AN ISO 9001 COMPANY

**JINDAL ALUMINIUM LTD.**  
BANGALORE-560073 (INDIA)

|          | NAME      | DATE       |
|----------|-----------|------------|
| DRAWN    | PRASANN.H | 31-07-2007 |
| CHECKED  |           |            |
| APPROVED |           |            |

1. ALL DIMENSIONS ARE IN mm.
2. ROUND OFF ALL SHARP CORNERS WITH 0.40 mm.
3. TOLERANCES WILL BE AS PER IS:6477-1983 UNLESS OTHERWISE SPECIFIED

|                      |         |
|----------------------|---------|
| SCALE                | 2:1     |
| AREA mm <sup>2</sup> | 863.767 |
| PERIMETER mm.        | 150.796 |
| WEIGHT kg/m          | 2.332 ② |

PARTY'S NAME      TEX-TECH INDUSTRIES(INDIA)PVT. LTD., COIMBATORE

| DRAWING No. | SECTION No.   |
|-------------|---------------|
| P-7130-1    | -             |
| S1991       | S1991-ISSUE-2 |
| 24809       | 24809         |

PARTY'S DRAWING No.      TTIPL. NCK. 088

ALLOY & TEMPER      HE9 WP

DESCRIPTION      LAP TENSION PIPE-TEXTILE SECTION