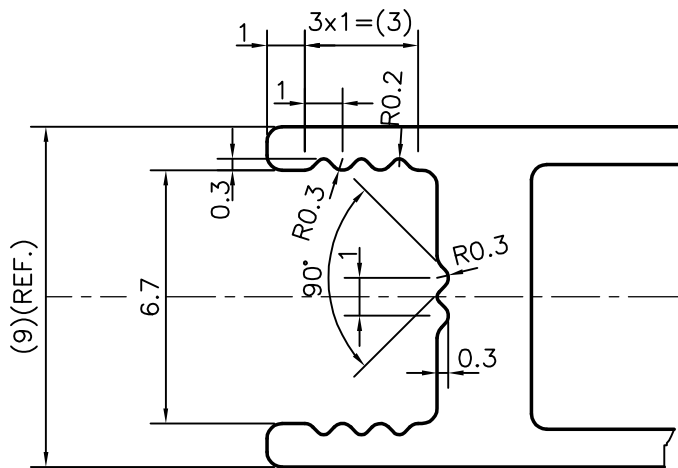
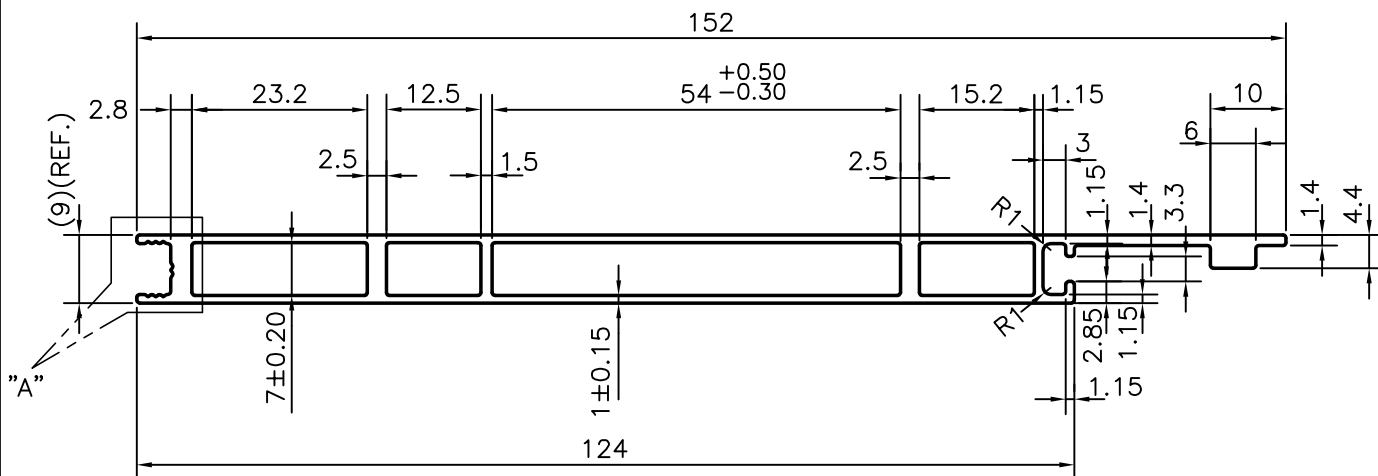


P-10673

24812



DETAIL OF "A"
SCALE 5:1



SYMBOL OF QUALITY
AN ISO 9001 COMPANY

JINDAL ALUMINIUM LTD.
BANGALORE-560073 (INDIA)

	NAME	DATE
DRAWN	J.P.KAUSHIK	03-02-2011
CHECKED		
APPROVED	J.N. RAI	08-02-2011
SCALE		1:1
AREA mm ²		384.462
PERIMETER mm.		349.463
WEIGHT kg/m		1.038
DRAWING No.	SECTION No.	
P-10673	-	
24812	24812(ISSUE-2)	

1. ALL DIMENSIONS ARE IN mm.
2. ROUND OFF ALL SHARP CORNERS WITH 0.40 mm.
3. TOLERANCES WILL BE AS PER, IS:6477-1983 UNLESS OTHERWISE SPECIFIED

PARTY'S NAME	GENERAL CATEGORY, MUMBAI MARKET
PARTY'S DRAWING No.	AS PER SAMPLE
ALLOY & TEMPER	HE9 WP
DESCRIPTION	TEXTILE SECTION