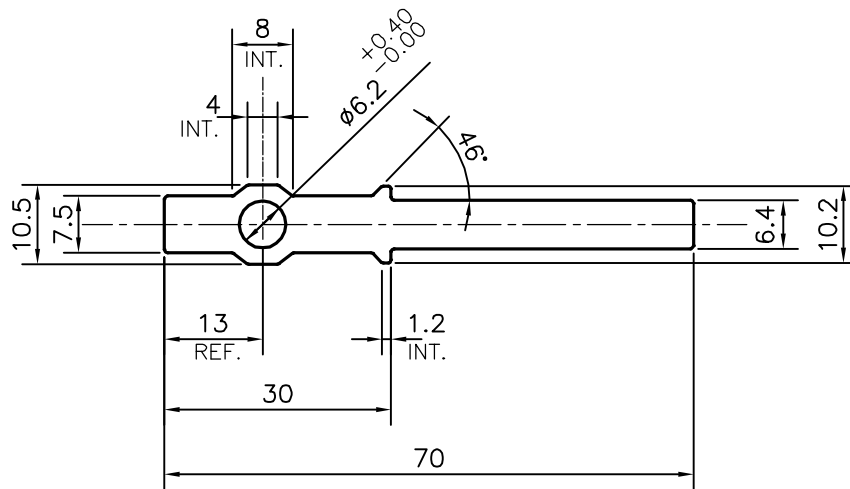


P-11663

24825




ISSUE:-2

TOLERANCE CHANGED FROM $\phi 6.2 \pm 0.25$ TO $\phi 6.2$ $\begin{matrix} +0.40 \\ -0.00 \end{matrix}$ AS PER CUSTOMER REQUIREMENT

ISSUE-3

ALLOY CHANGED FROM HE9 WP TO 6005 T6

 SYMBOL OF QUALITY AN ISO 9001 COMPANY	JINDAL ALUMINIUM LTD. BANGALORE-560073 (INDIA)	NAME	DATE
		DRAWN	J.P.KAUSHIK
1. ALL DIMENSIONS ARE IN mm. 2. ROUND OFF ALL SHARP CORNERS WITH 0.40 mm. 3. TOLERANCES WILL BE AS PER IS:6477-1983, UNLESS OTHERWISE SPECIFIED		CHECKED	
		APPROVED	B.NATARAJA
PARTY'S NAME GENERAL CATEGORY, MUMBAI MARKET		SCALE	1:1
		AREA mm ²	473.672
PARTY'S DRAWING No. VA01247		PERIMETER mm.	159.325
		WEIGHT kg/m	1.279
ALLOY & TEMPER 6005 T6		DRAWING No.	SECTION No.
		P-11663	-
DESCRIPTION TEXTILE SECTION		24825	24825(ISSUE-3)