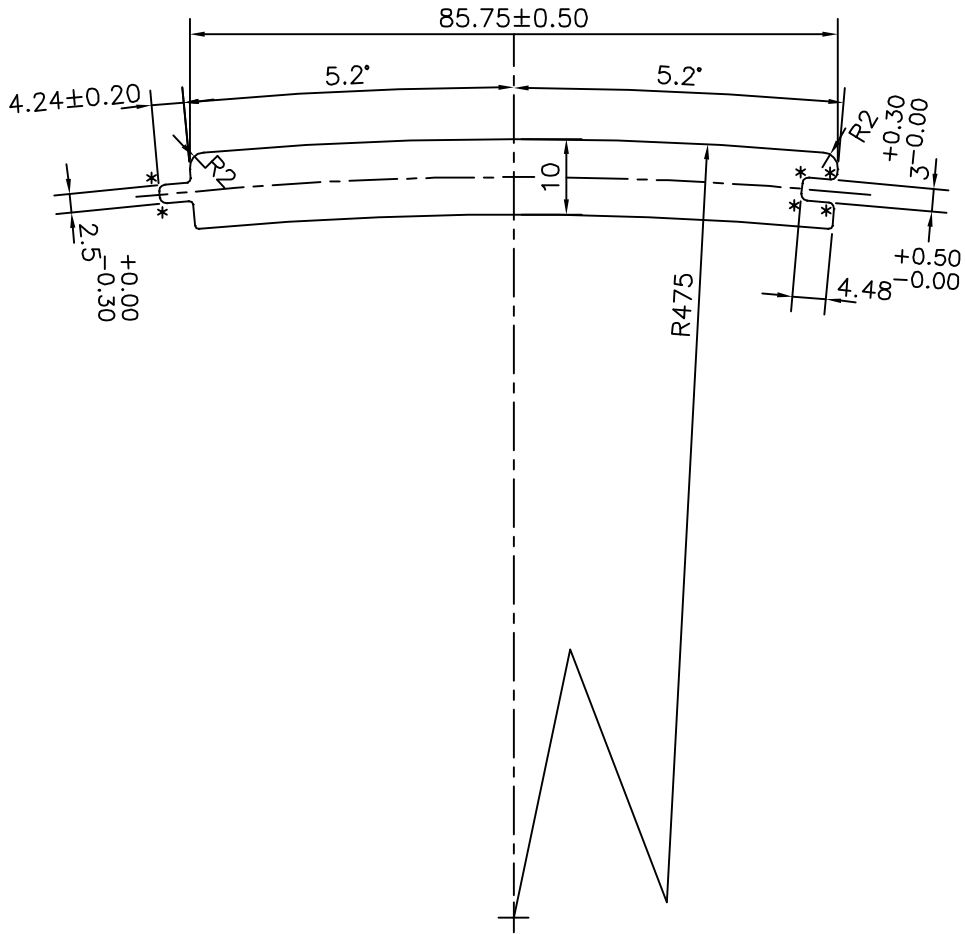



P-11986-2
S3489
24849



* = 0.8 RADIUS (6 PLACES)

 SYMBOL OF QUALITY AN ISO 9001 COMPANY	JINDAL ALUMINIUM LTD. BANGALORE-560073 (INDIA)	NAME		DATE
		DRAWN	J.P.KAUSHIK	24-08-2012
1. ALL DIMENSIONS ARE IN mm. 2. ROUND OFF ALL SHARP CORNERS WITH 0.50 mm. 3. TOLERANCES WILL BE AS PER,BS:EN-755-9 UNLESS OTHERWISE SPECIFIED		CHECKED		
		APPROVED	S.S.GARG	04-10-2012
PARTY'S NAME		SCALE		1:1
		AREA mm ²		848.233
PARTY'S DRAWING No.		PERIMETER mm.		203.412
		WEIGHT kg/m		2.290
ALLOY & TEMPER		DRAWING No.		SECTION No.
		P-11986-2		-
DESCRIPTION		S3489		S3489
		24849		24849
MISC. SECTION				