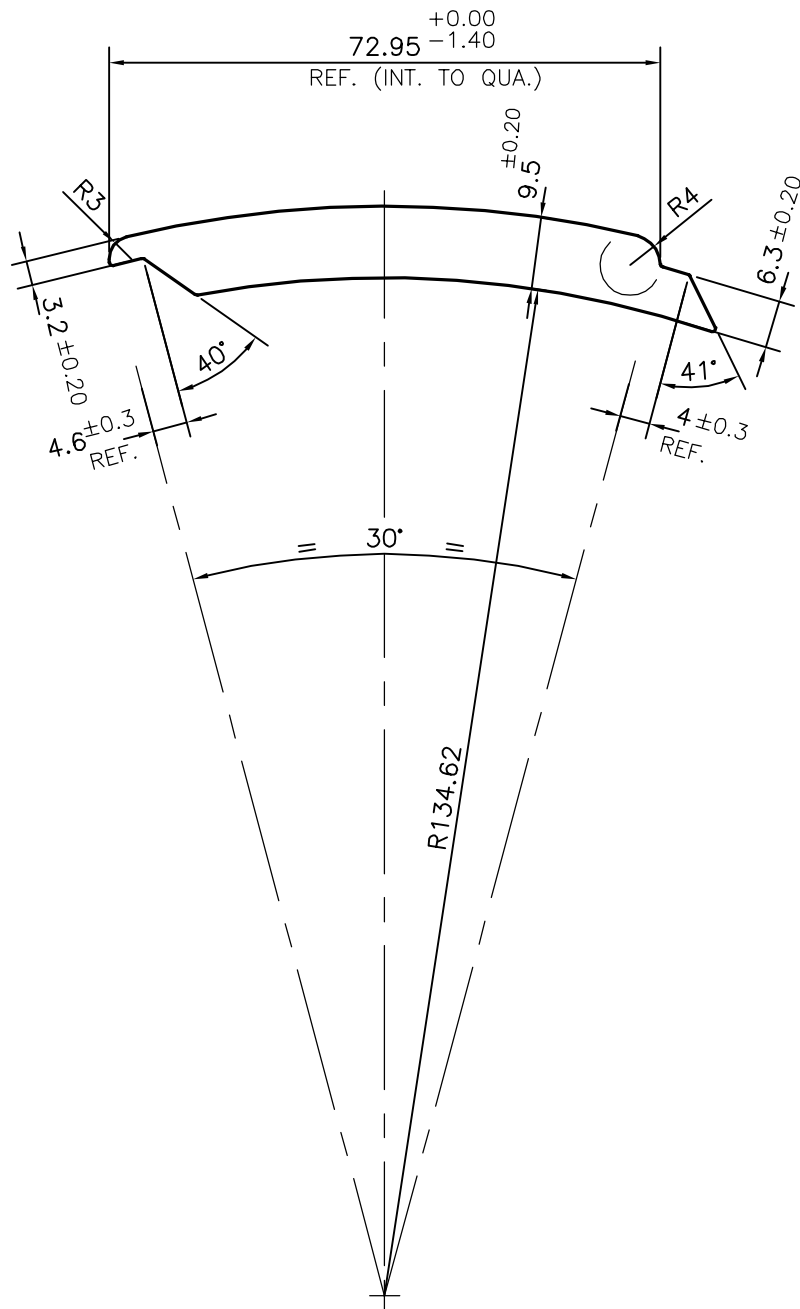


P-12118

S3606

24858



SYMBOL OF QUALITY
AN ISO 9001 COMPANY

JINDAL ALUMINIUM LTD.
BANGALORE-560073 (INDIA)

	NAME	DATE
DRAWN	PARVESH	09-10-2012
CHECKED		
APPROVED	S.S.GARG	15-01-2013

1. ALL DIMENSIONS ARE IN mm.
2. ROUND OFF ALL SHARP CORNERS WITH 0.40 mm.
3. TOLERANCES WILL BE AS PER BS:EN-755-9, UNLESS OTHERWISE SPECIFIED

SCALE	1:1
AREA mm ²	684.116
PERIMETER mm.	173.325
WEIGHT kg/m	1.847

PARTY'S NAME BAJAJ INDUSTRIES PVT.LTD., KOLKATA

DRAWING No. SECTION No.

PARTY'S DRAWING No. PROV/002/12-13

P-12118

-

ALLOY & TEMPER 6082 T6

S3606

S3606

24858

24858

DESCRIPTION TEXTILE SECTION