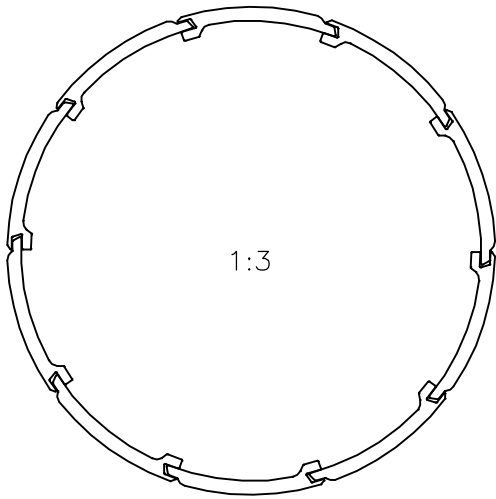
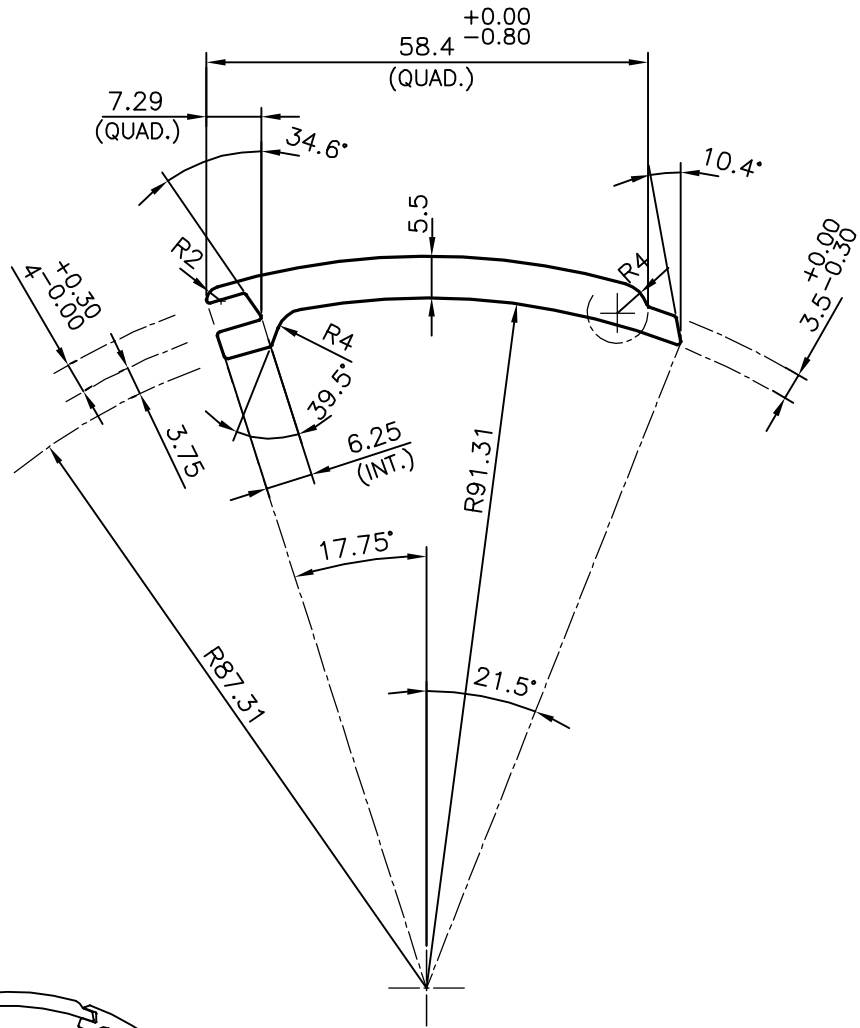


P-12704

S3726

24866



SYMBOL OF QUALITY  
AN ISO 9001 COMPANY

**JINDAL ALUMINIUM LTD.**  
BANGALORE-560073 (INDIA)

	NAME	DATE
DRAWN	SRIVATHSA	24-04-2013
CHECKED		
APPROVED	S.S.GARG	30-04-2013
SCALE		1:1
AREA mm <sup>2</sup>		345.582
PERIMETER mm.		152.368
WEIGHT kg/m		0.933
DRAWING No.	SECTION No.	
P-12704	-	
S3726	S3726	
24866	24866	

1. ALL DIMENSIONS ARE IN mm.
2. ROUND OFF ALL SHARP CORNERS WITH 0.40 mm.
3. TOLERANCES WILL BE AS PER BS:EN-12020-2, UNLESS OTHERWISE SPECIFIED

PARTY'S NAME	BAJAJ INDUSTRIES PVT. LTD., KOLKATA
PARTY'S DRAWING No.	BI/MK/010/12-13
ALLOY & TEMPER	6082 T6
DESCRIPTION	TEXTILE SECTION