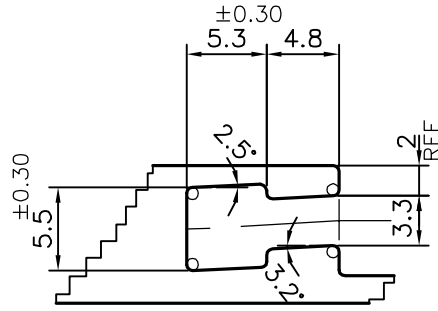
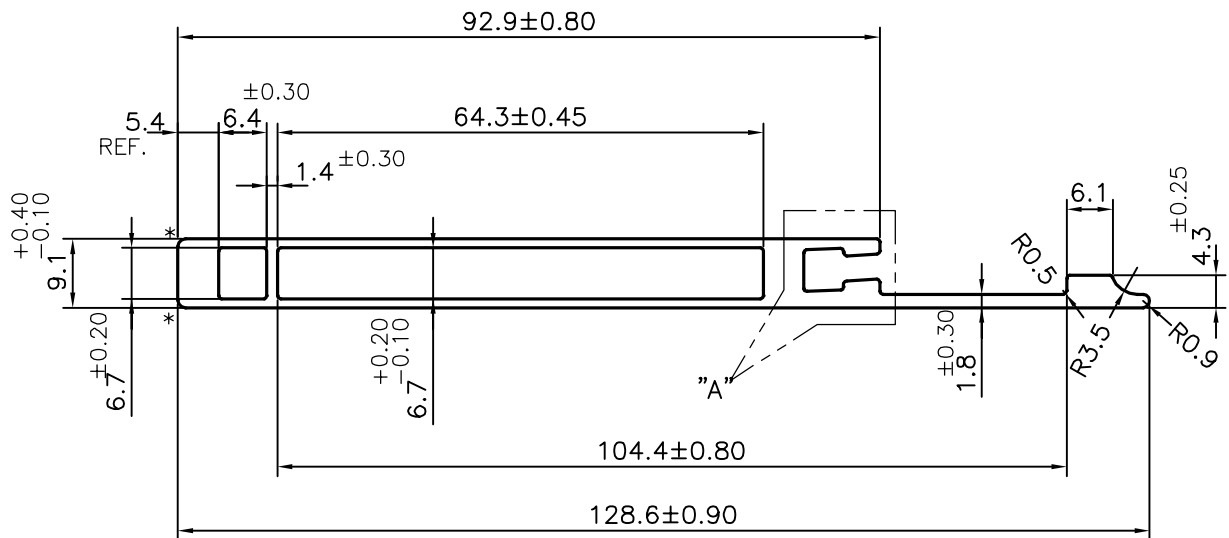


P-16812-1


24890



DETAIL "A"
SCALE 2:1



* = RADIUS 1.0 (2 PLACES)

 SYMBOL OF QUALITY AN ISO 9001 COMPANY	JINDAL ALUMINIUM LTD. BANGALORE-560073 (INDIA)	NAME	DATE
		DRAWN	J.P.KAUSHIK
		CHECKED	
		APPROVED	B.NATARAJ
		SCALE	1:1
		AREA mm ²	407.631
		PERIMETER mm.	299.85
		WEIGHT kg/m	1.101
PARTY'S NAME	GENERAL CATEGORY, AHMEDABAD MARKET	DRAWING No.	SECTION No.
PARTY'S DRAWING No.	AS PER DRAWING	P-16812-1	-
ALLOY & TEMPER	HE9 WP	24890	24890
DESCRIPTION	TEXTILE SECTION		